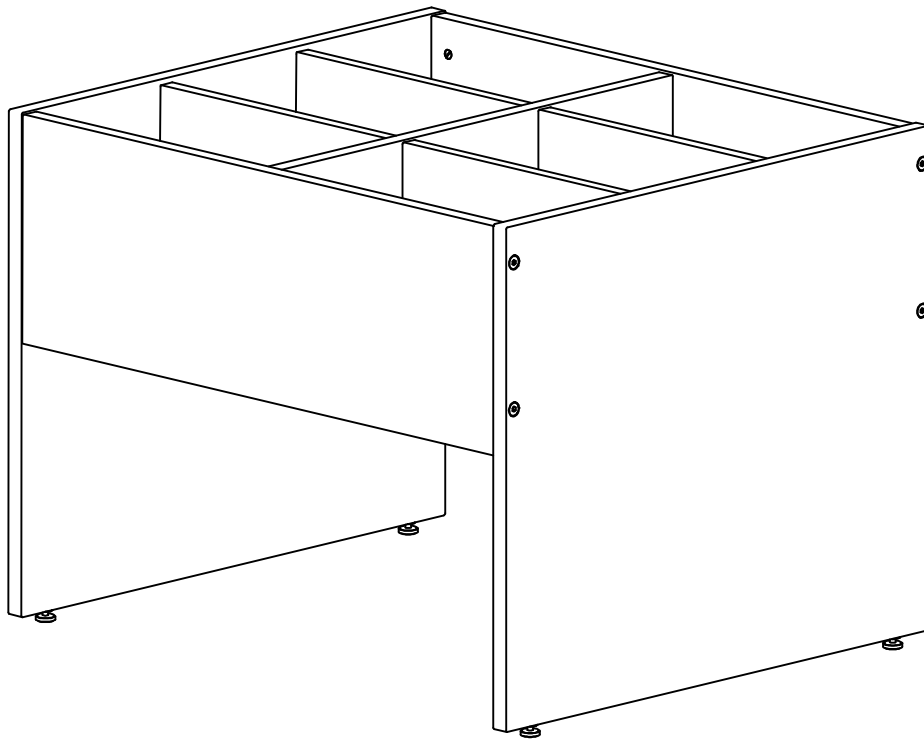


Assembly Guide

E7650-E7653 - Picture book Browser Plus



2016.09

First check the contents to make sure that nothing is missing. Sort out the screws and fittings as shown.
Assemble your furniture step by step, as shown in the illustrations.

