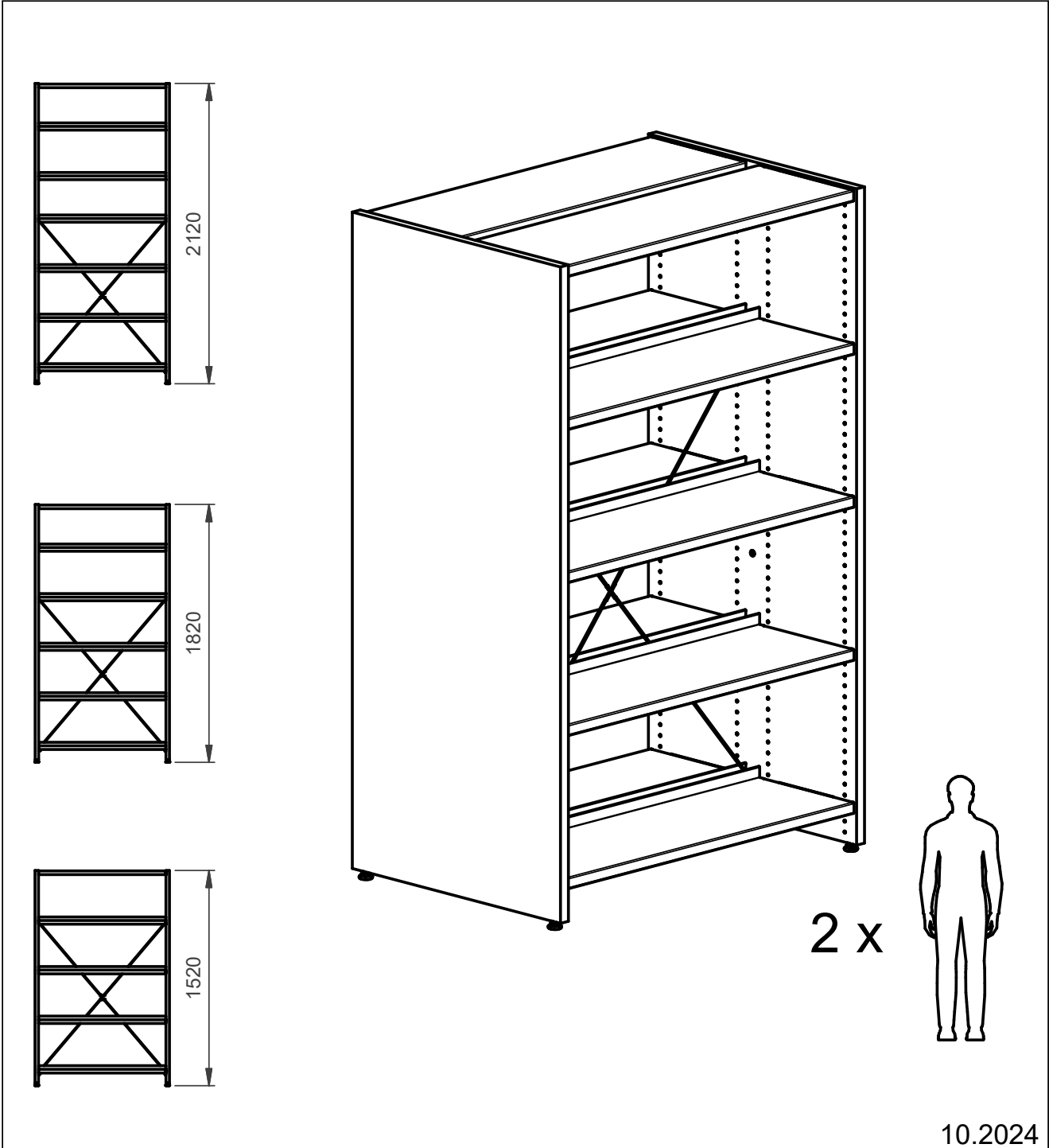




# Assembly Guide

## Lingo-Go, Starter & Add-on



10.2024

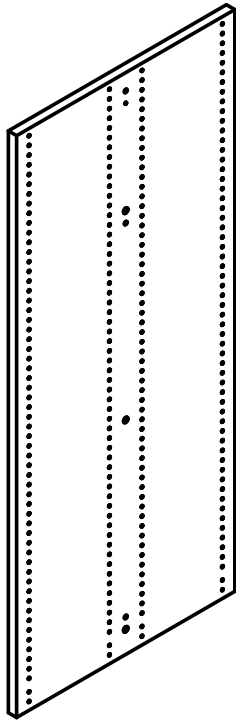
First check the contents to make sure that nothing is missing. Sort out the screws and fittings as shown. Assemble your furniture step by step, as shown in the illustrations.

# Assembly Guide

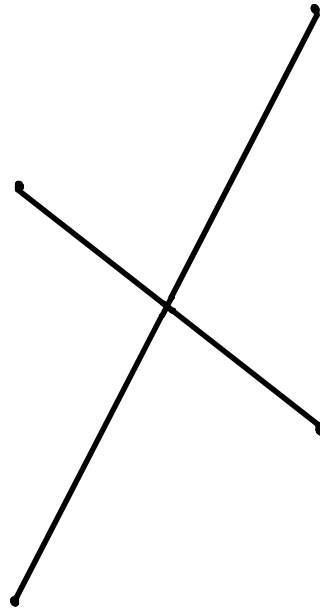


Lingo-Go, Starter parts

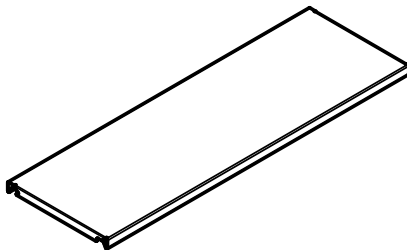
1



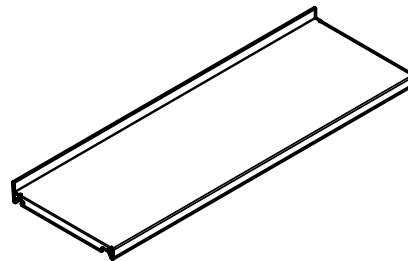
2 x A



1 x D



2 x E



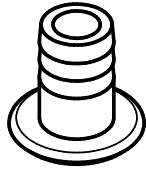
8 x F (H: 152 cm )  
10 x F (H: 182 cm )  
12 x F (H: 212 cm )

# Assembly Guide

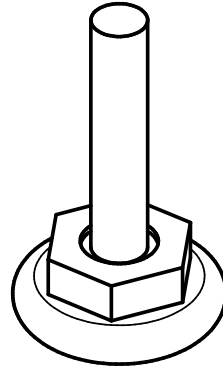


Lingo-Go, Starter parts

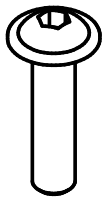
2



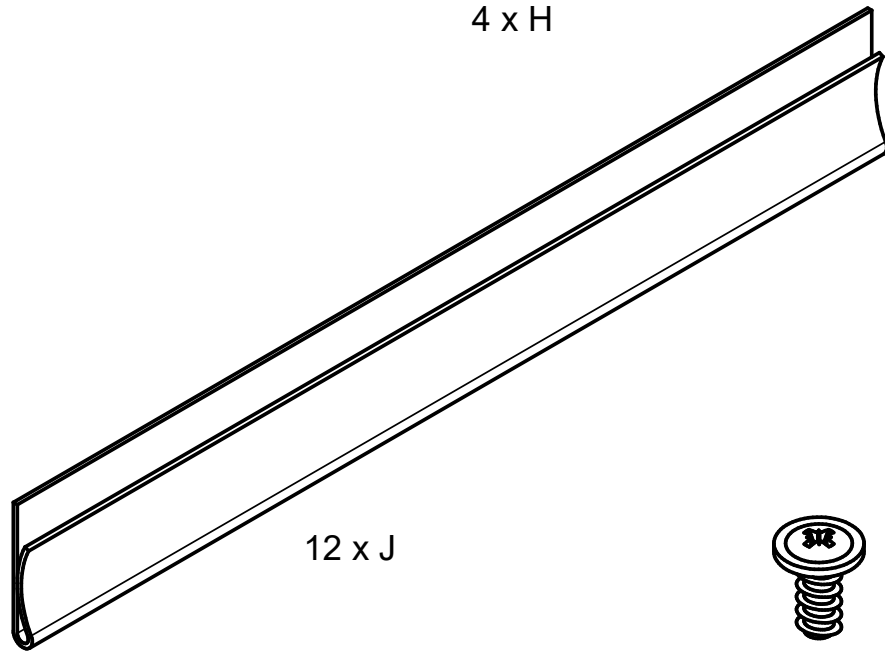
4 x G



4 x H



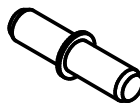
4 x I



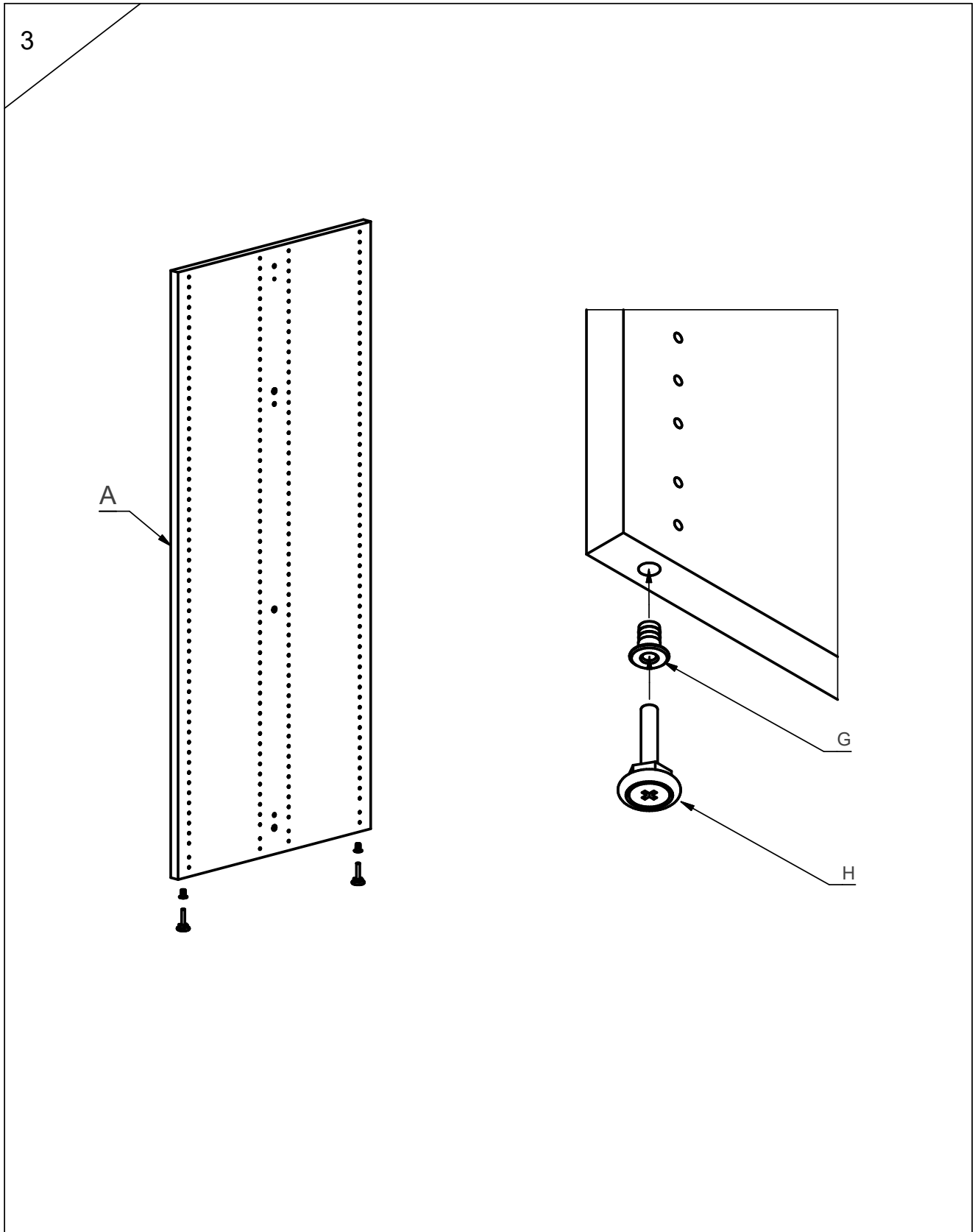
12 x J



24 x K



16 x L (H: 152 cm )  
24 x L (H: 182 cm )  
32 x L (H: 212 cm )





4

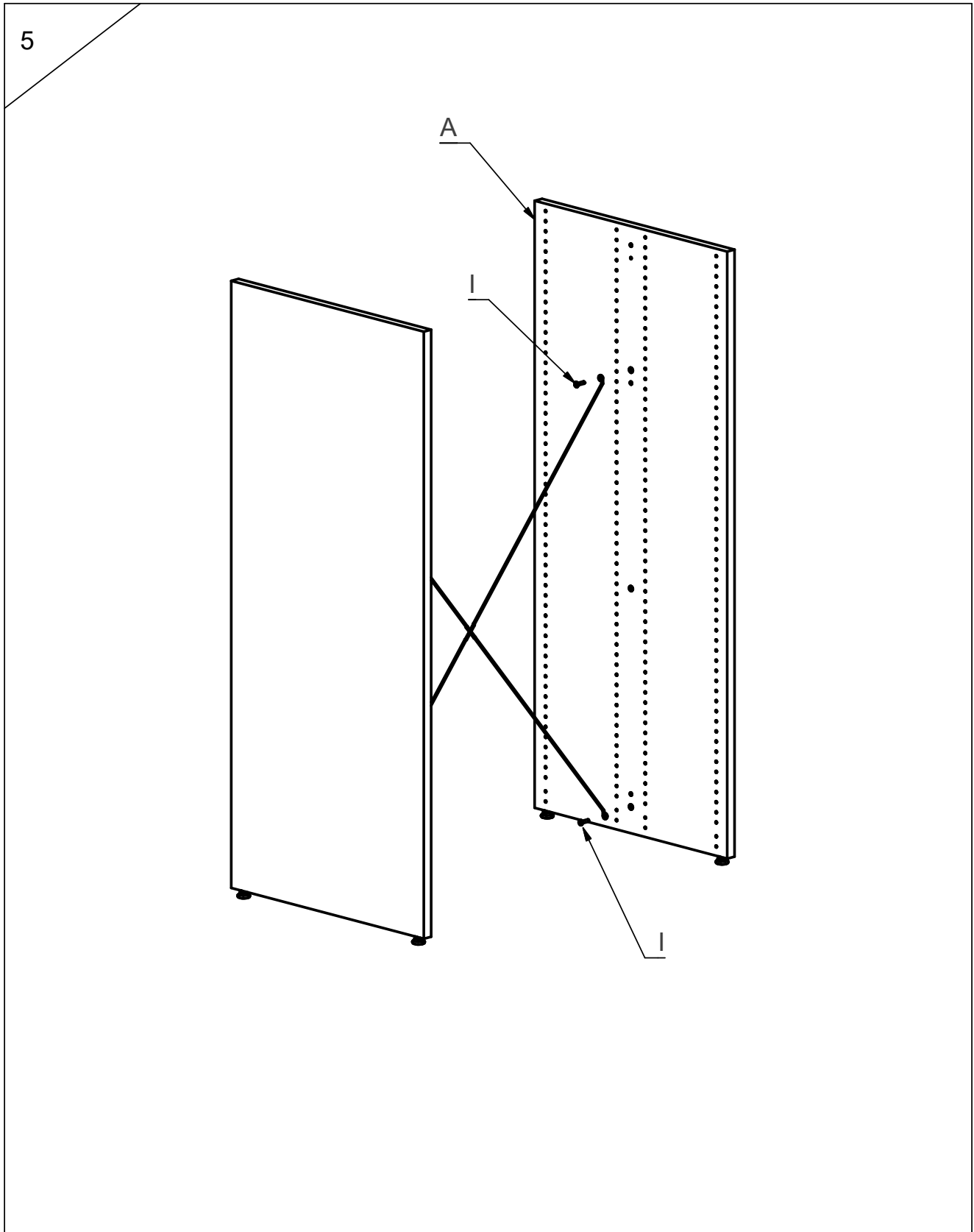
A

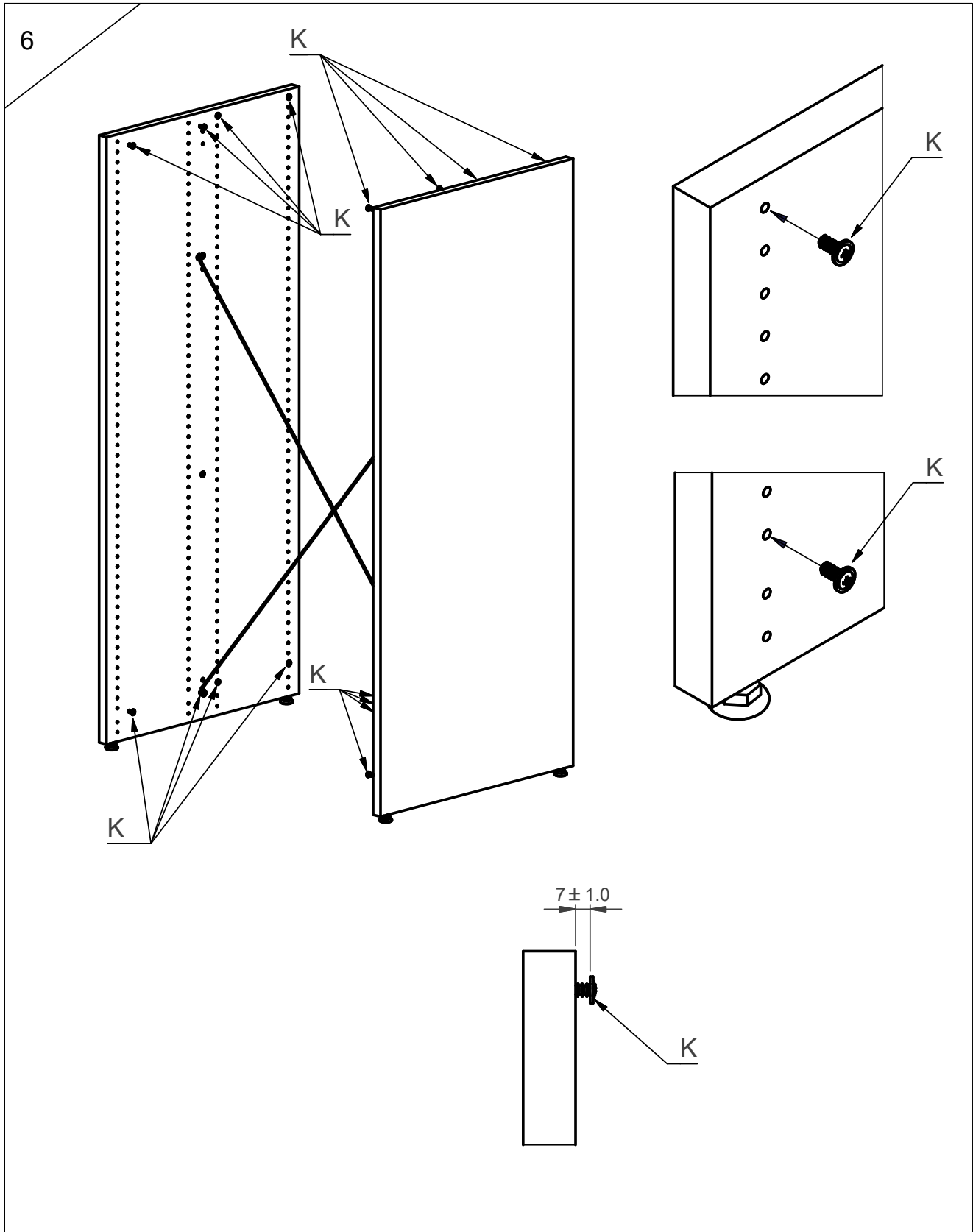
I

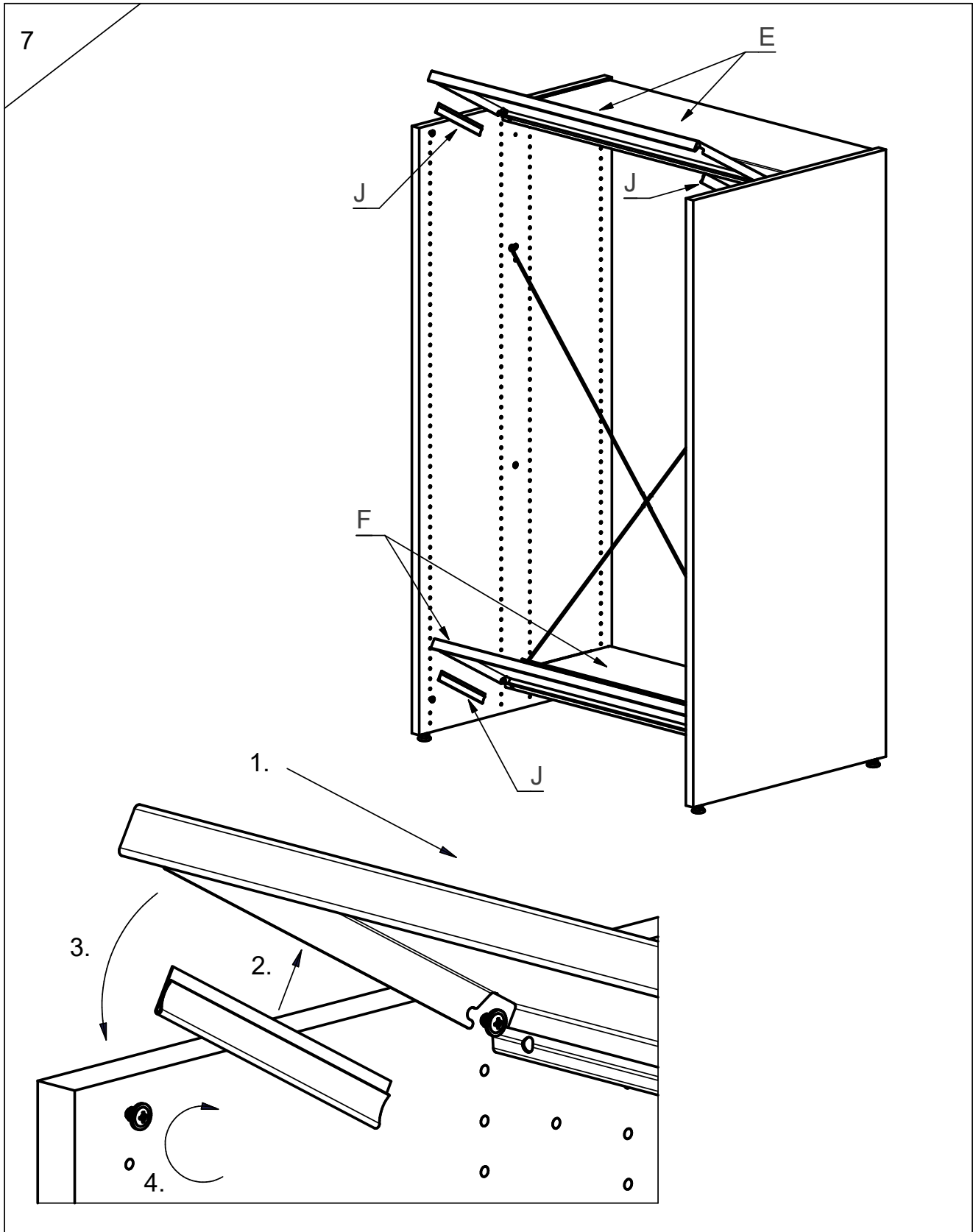
D

i

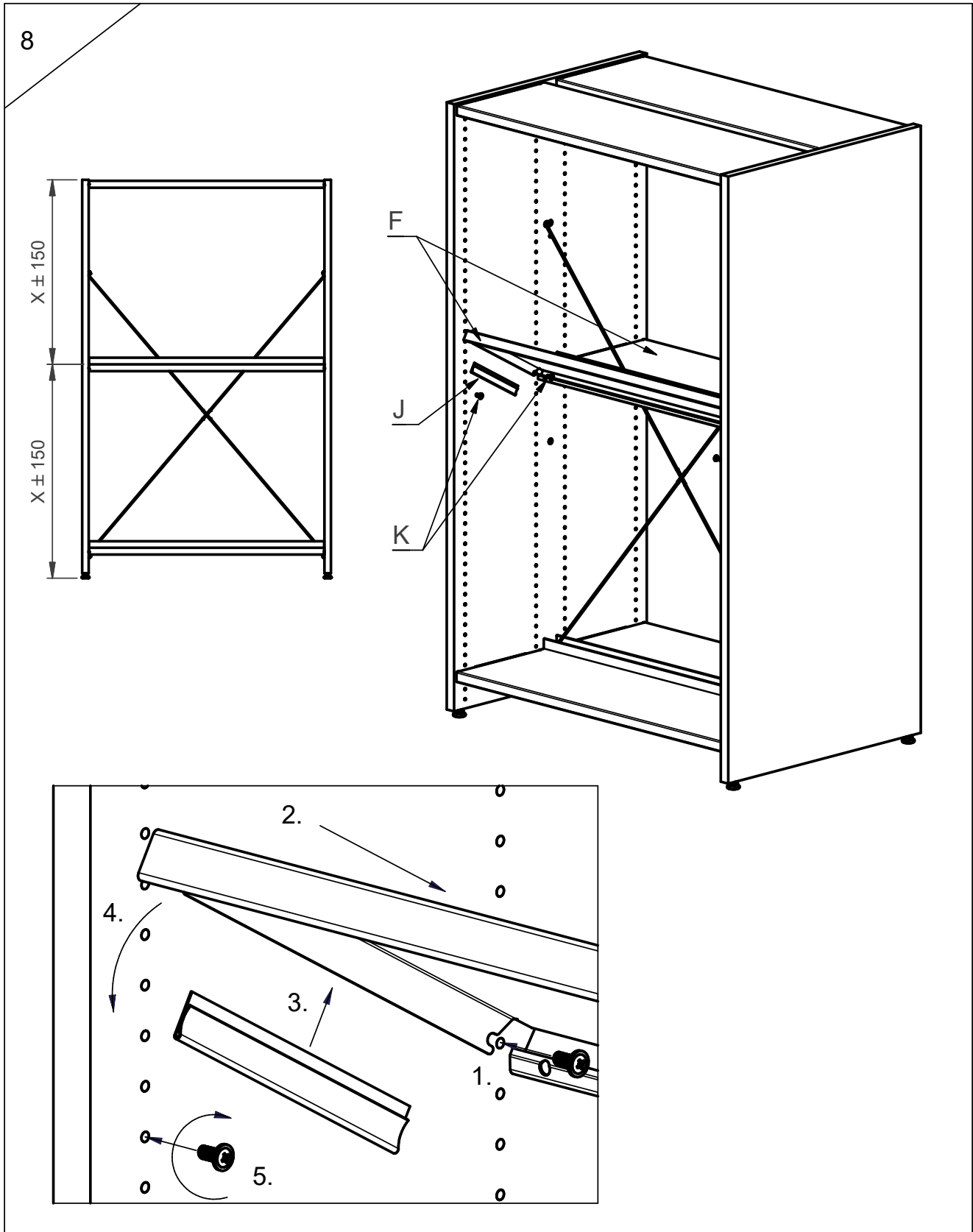
Optional.  
Lingo-Go, Add-on  
Page 11

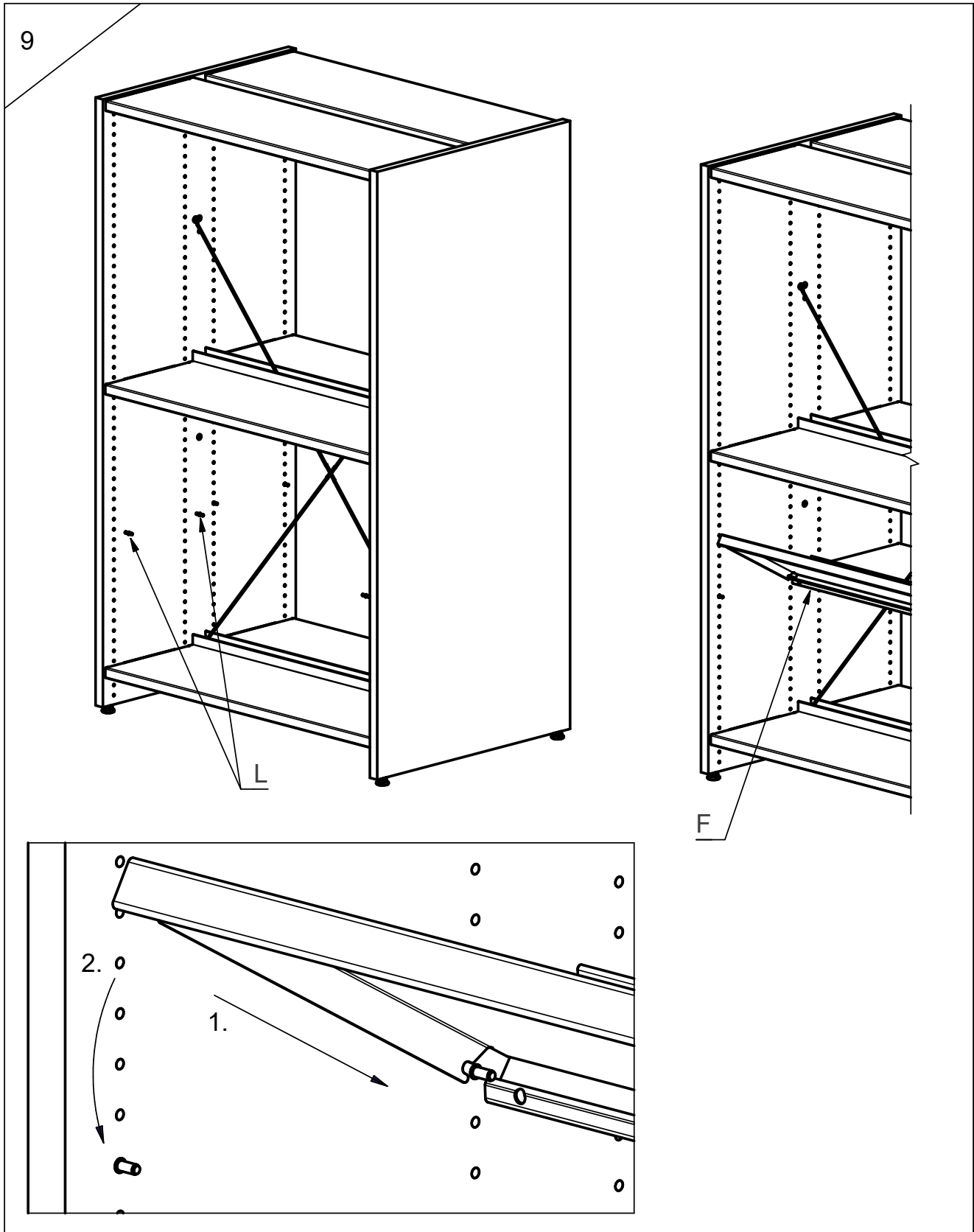










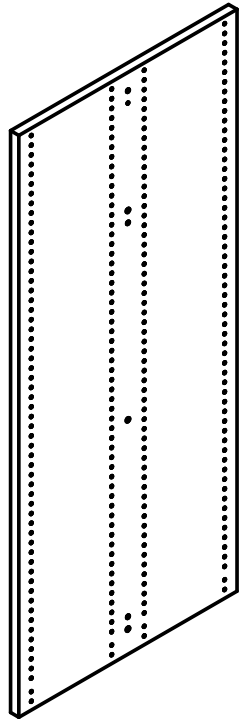


# Assembly Guide

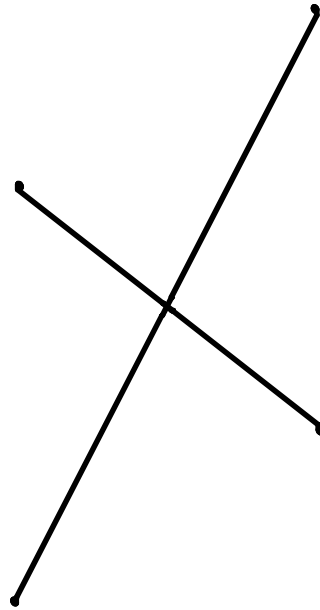


Lingo-Go, Add-on parts

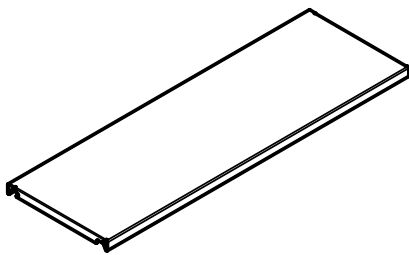
10



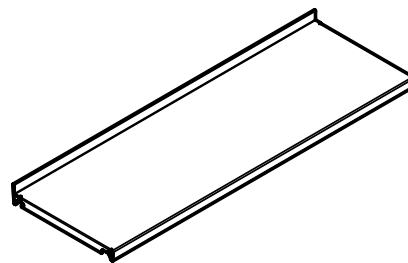
1 x B



1 x D



2 x E



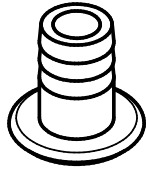
8 x F (H: 152 cm )  
10 x F (H: 182 cm )  
12 x F (H: 212 cm )

# Assembly Guide

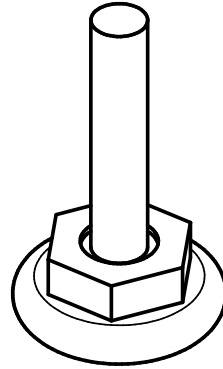


Lingo-Go, Add-on parts

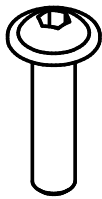
11



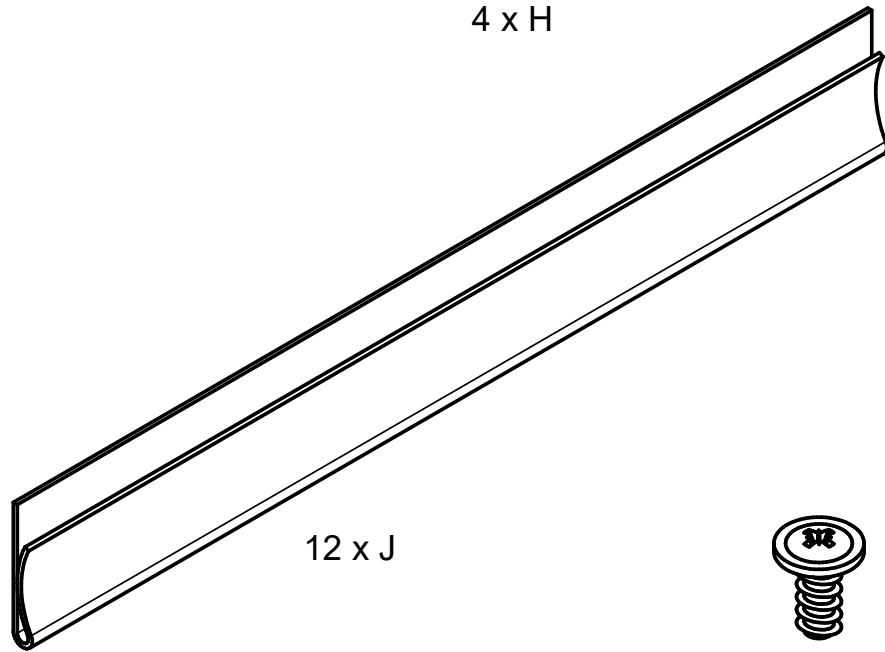
4 x G



4 x H



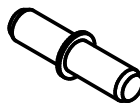
4 x I



12 x J



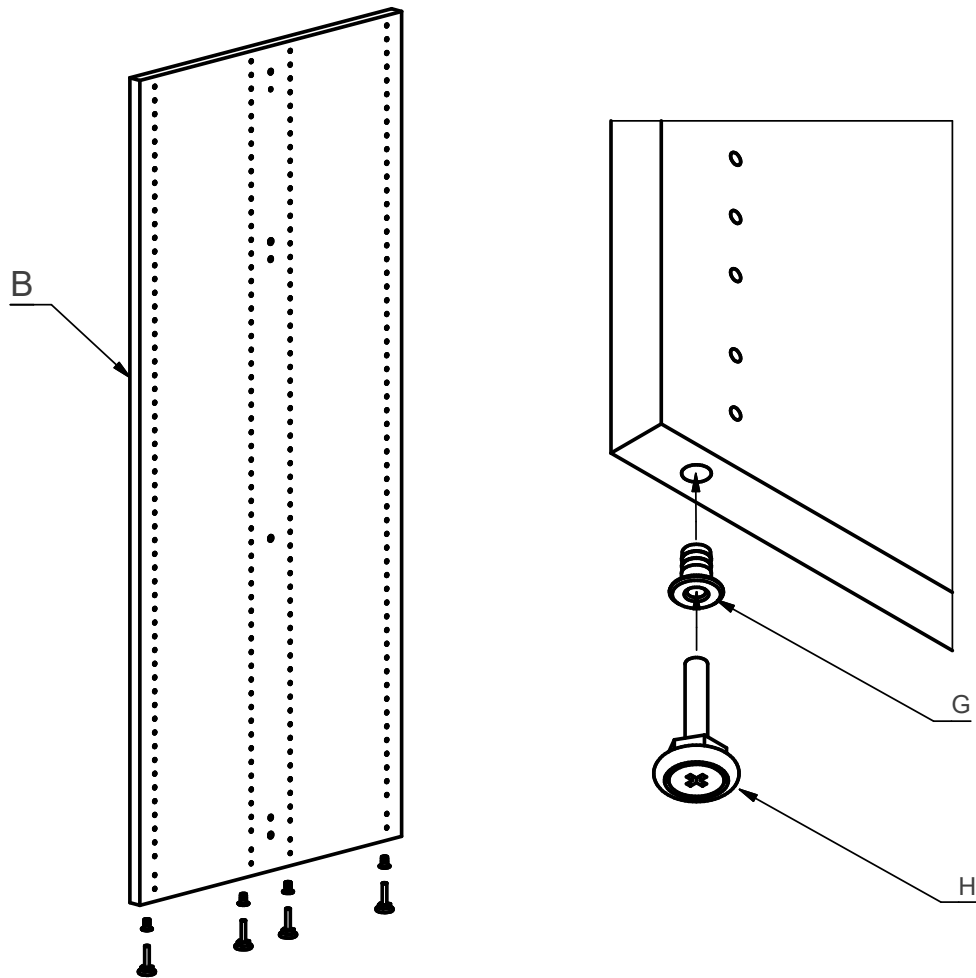
24 x K



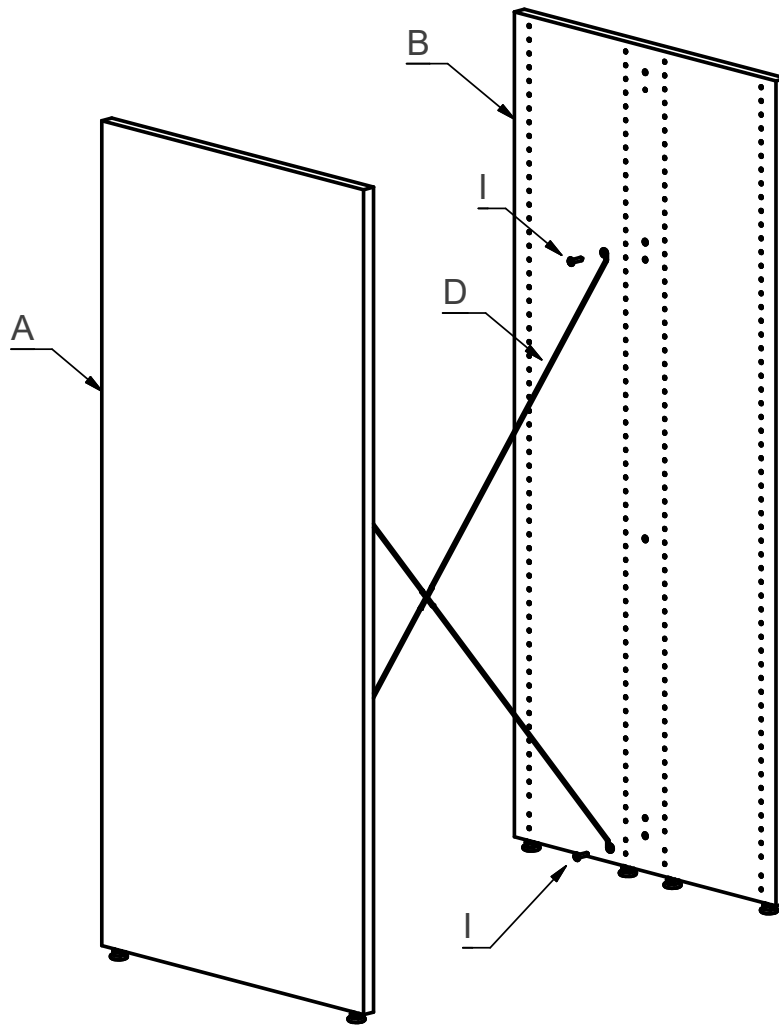
16 x L (H: 152 cm )  
24 x L (H: 182 cm )  
32 x L (H: 212 cm )



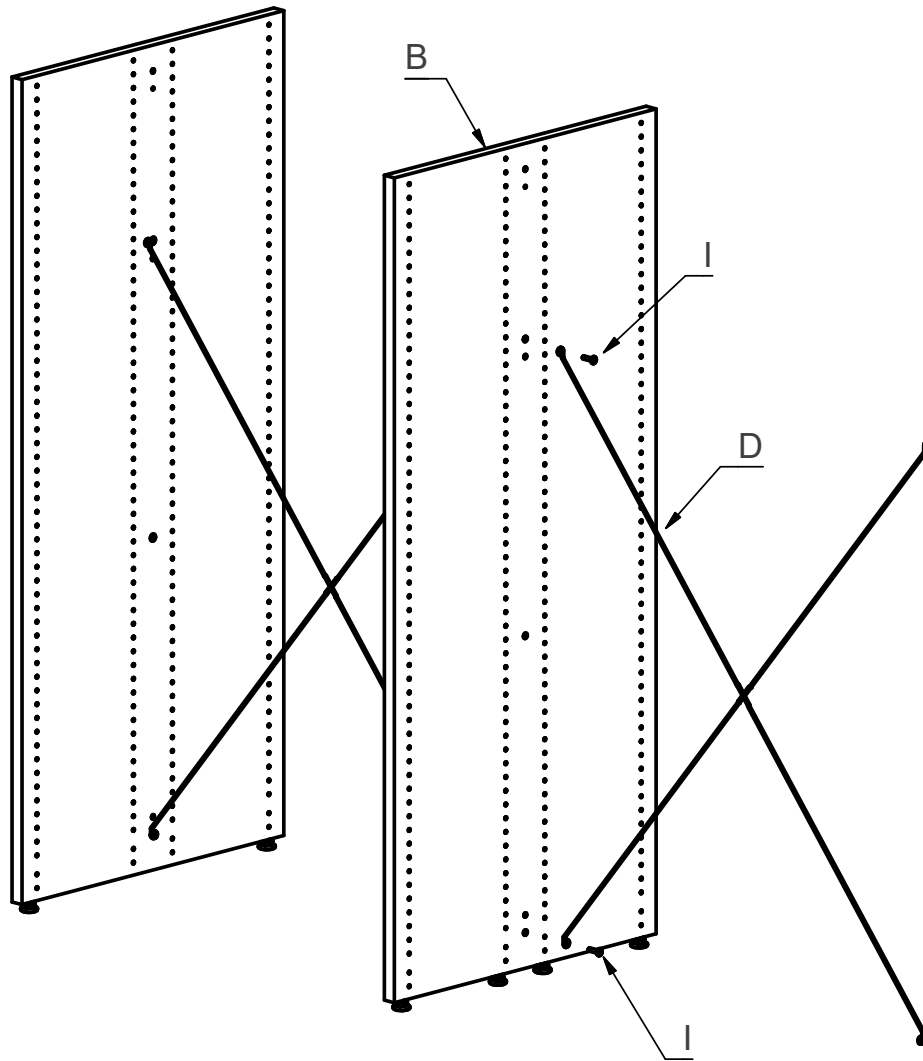
12



13



14





15

