

Assembly Guide

Concertina – workstation



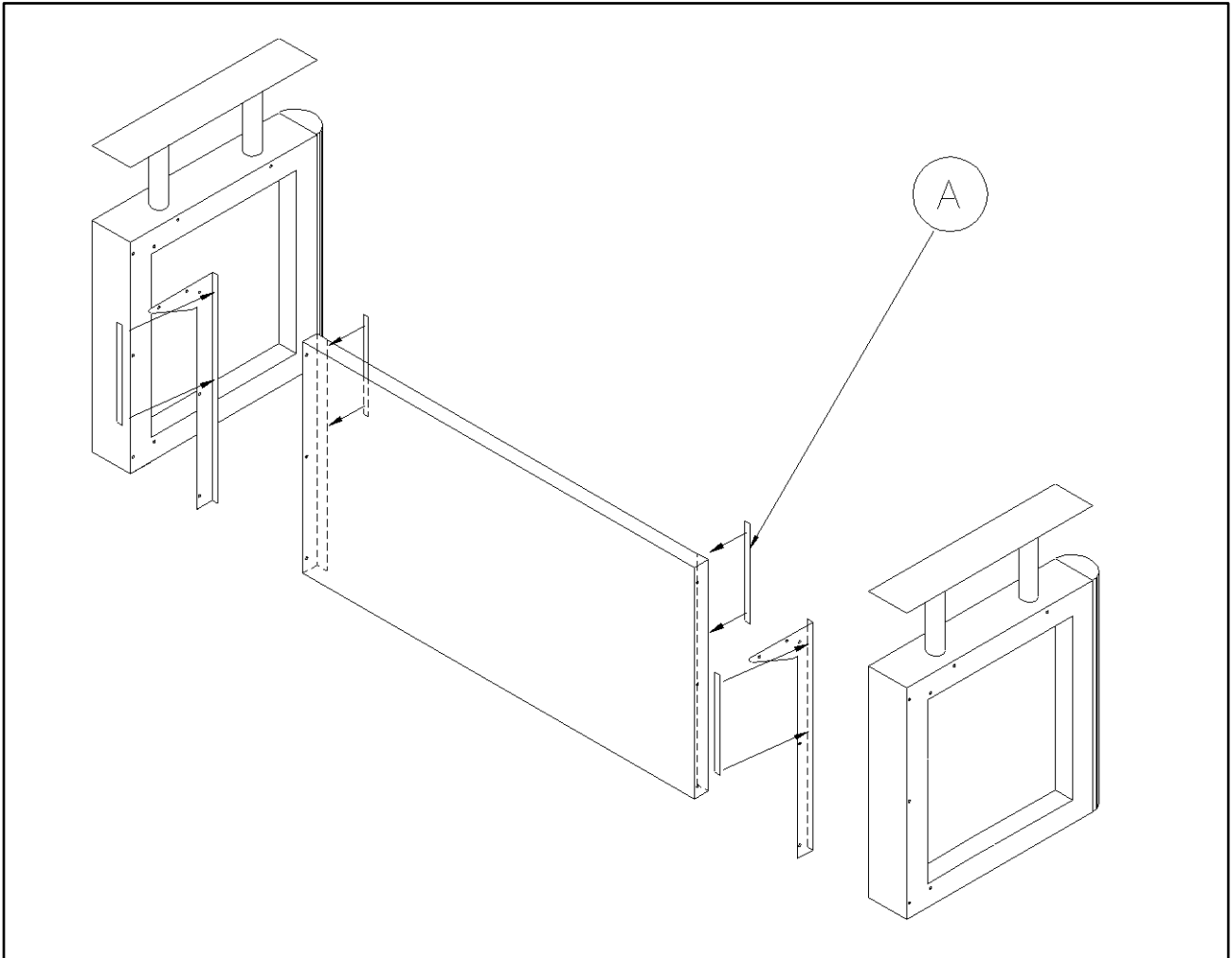
Assembly Guide

Assembly guide for Concertina workstation

Pos.	Specifications
A.	Tape (Scotch Bronel), length 35 cm
B.	Bosscod 4 mm BN 717
C.	Sheet metal screw 4,8X13 mm
D.	Cylinder nut M6X13 mm JS no. 4081 961013
E.	6X45 mm HFC 683
F.	4X20 mm HFC 681
G.	4X30 mm chip board screw HFC 328
H.	Combi screw 4X10 mm 520-818910
I.	4,5X 16 mm chip board screw HFC 328
J.	4 mm wing nut HFC 9915
K.	5 mm tension disk HFC 9167
L.	1 meter mini bracket LC 57
M.	Clip pulley HFC 9167
N.	Häfele house 262.26.811
O.	Häfele joint bolt 262.28.811
P.	Spring 3,6X18 mm

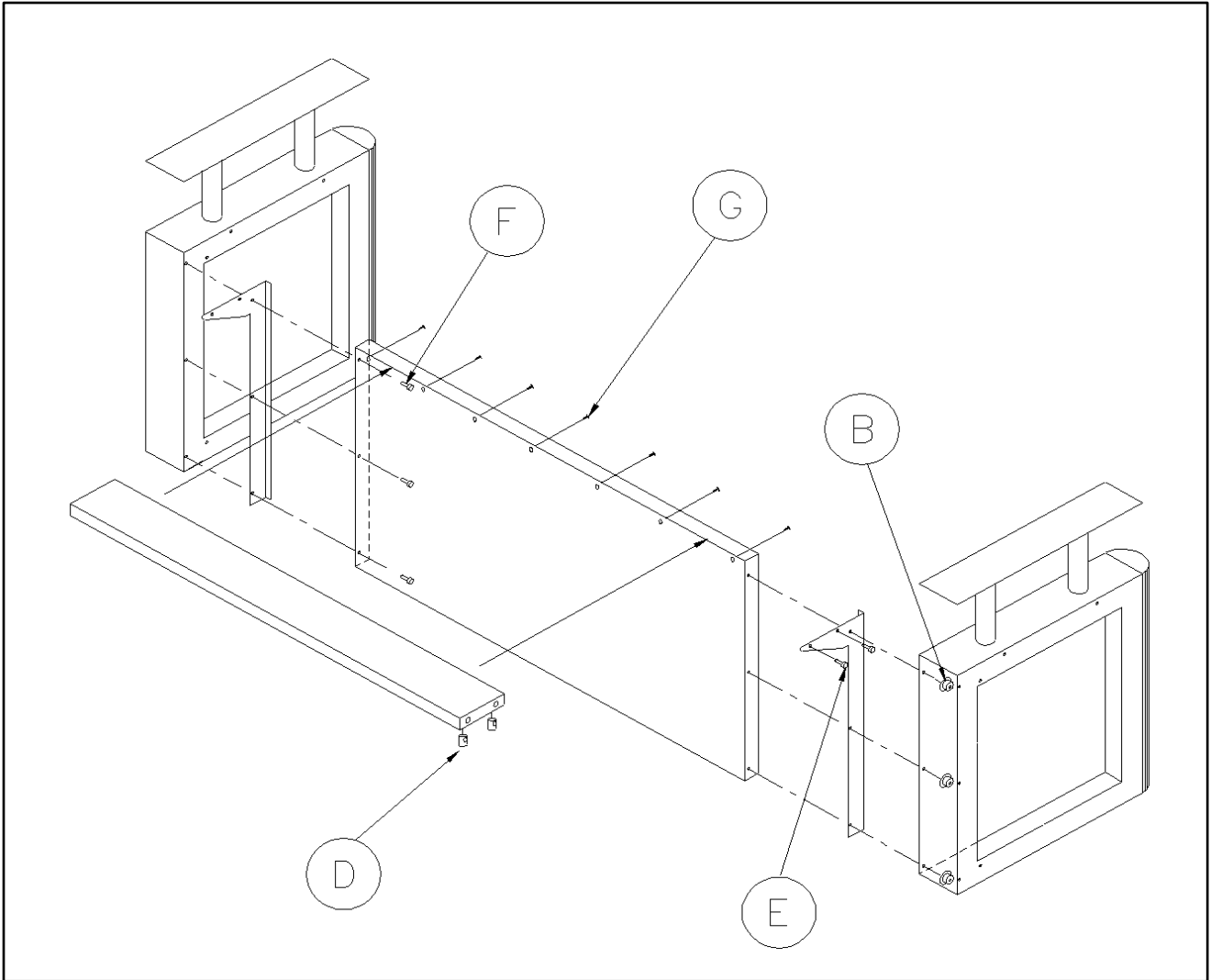
Assembly Guide

Assembly guide for Concertina workstation



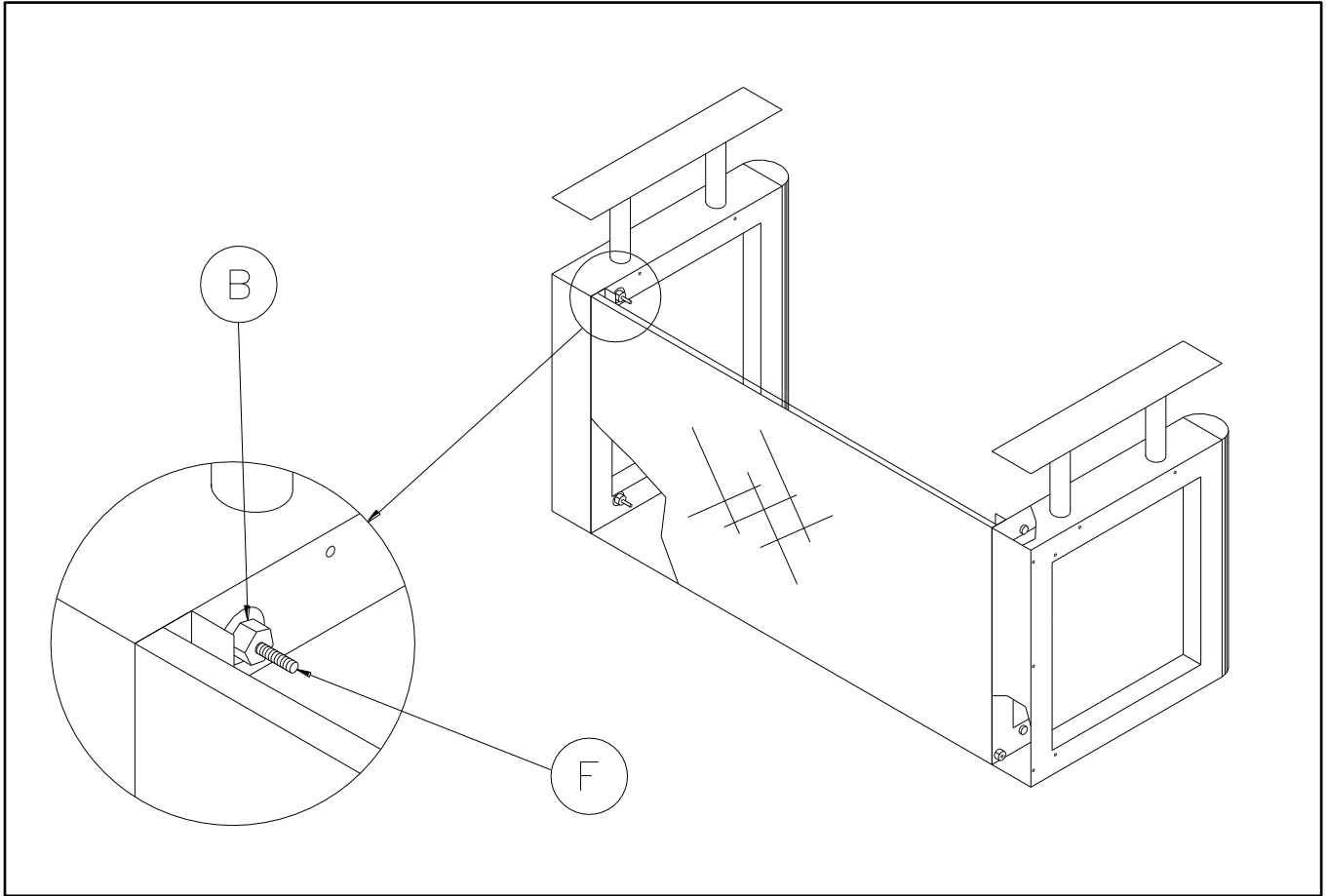
Assembly Guide

Assembly guide for Concertina workstation



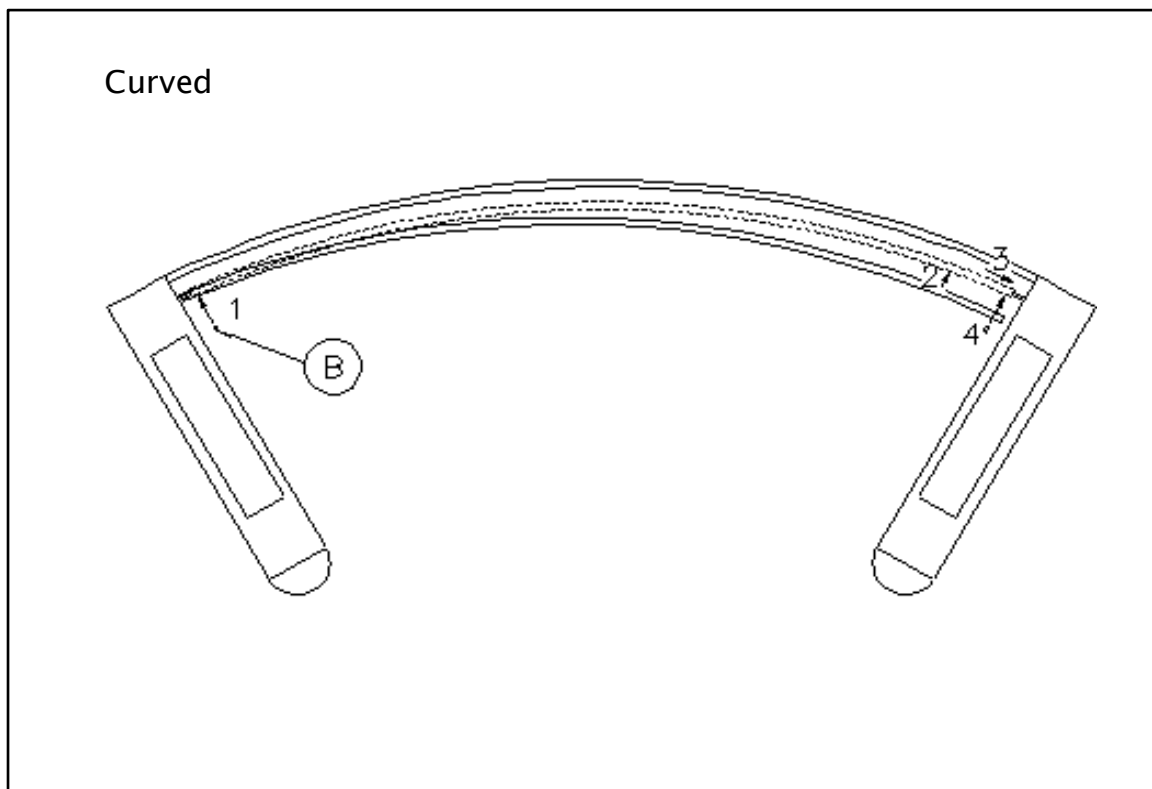
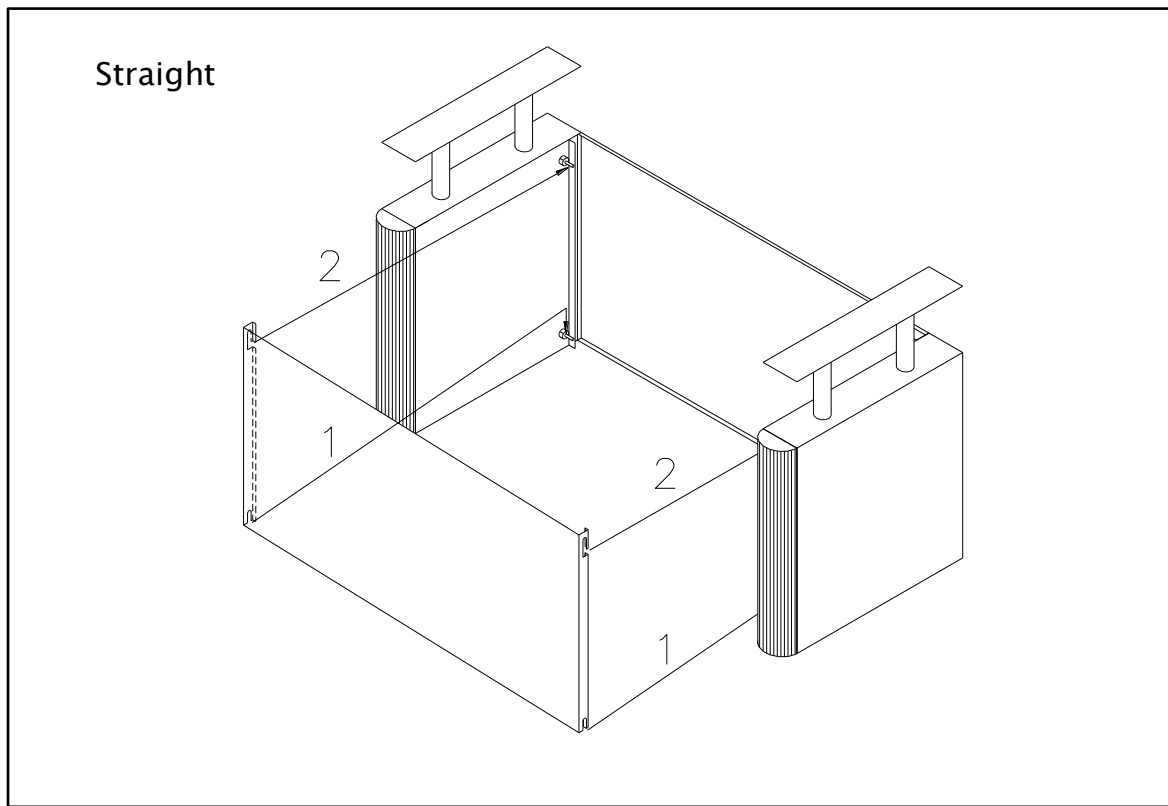
Assembly Guide

Assembly guide for Concertina workstation



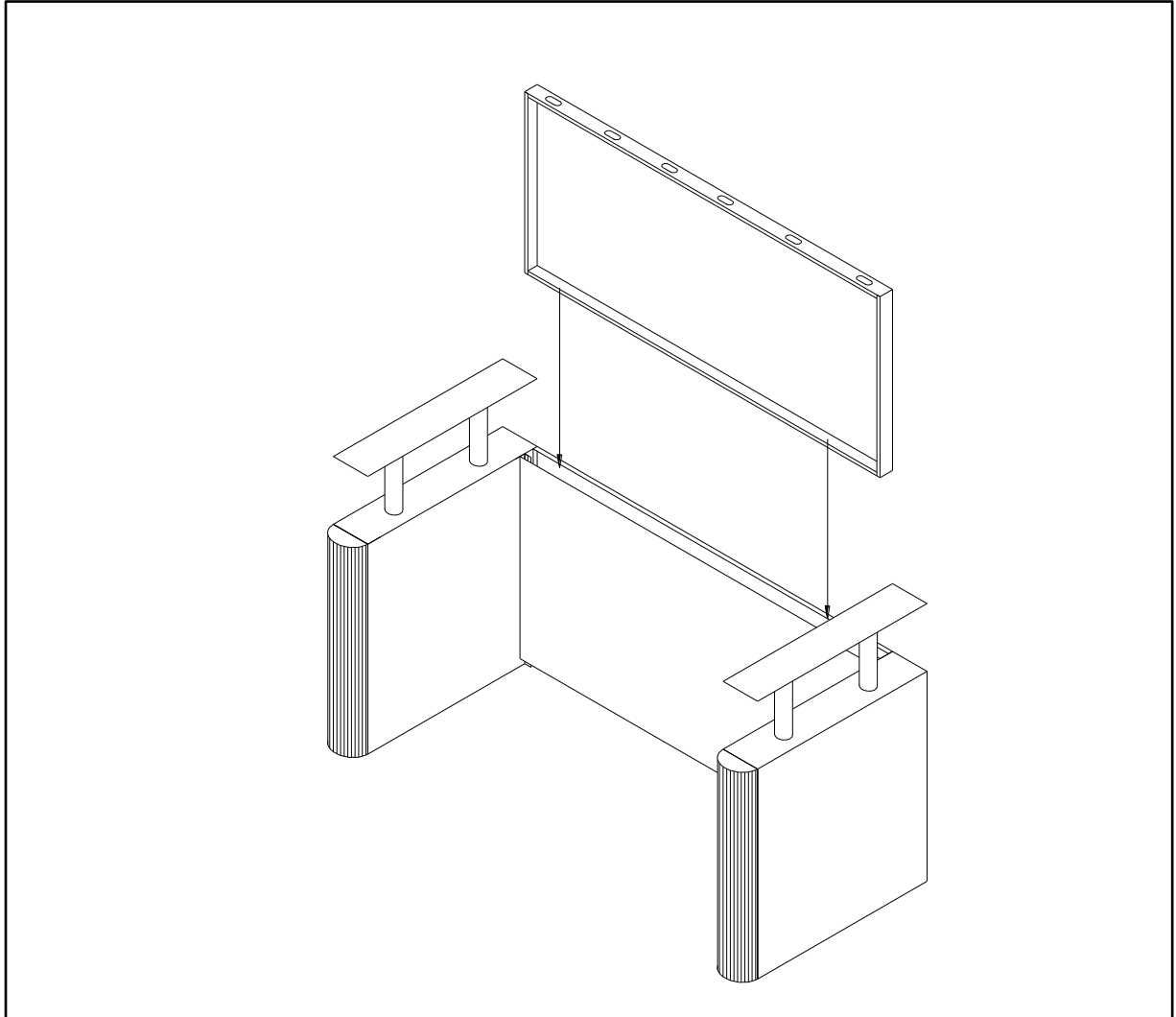
Assembly Guide

Assembly guide for Concertina workstation



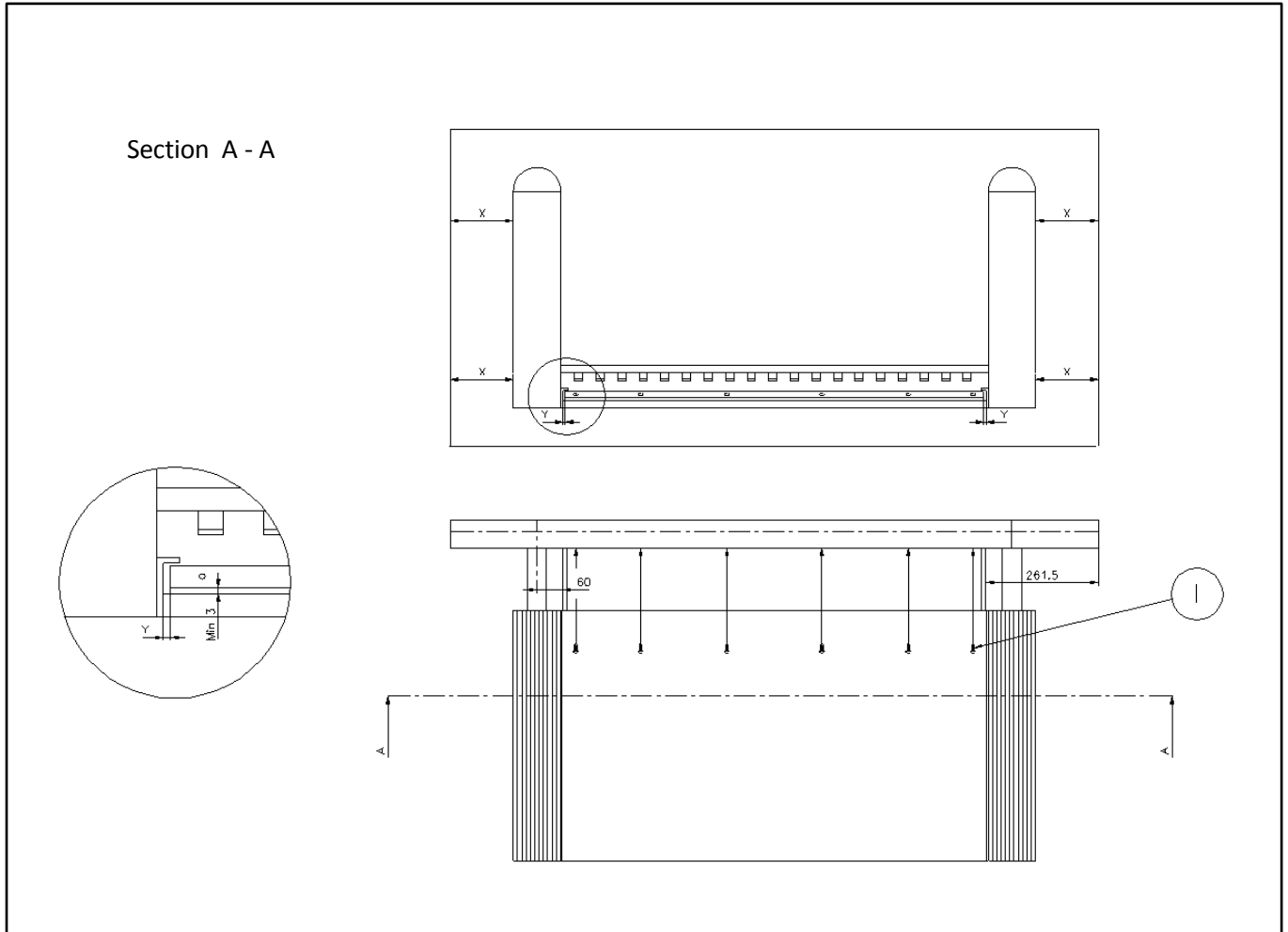
Assembly Guide

Assembly guide for Concertina workstation



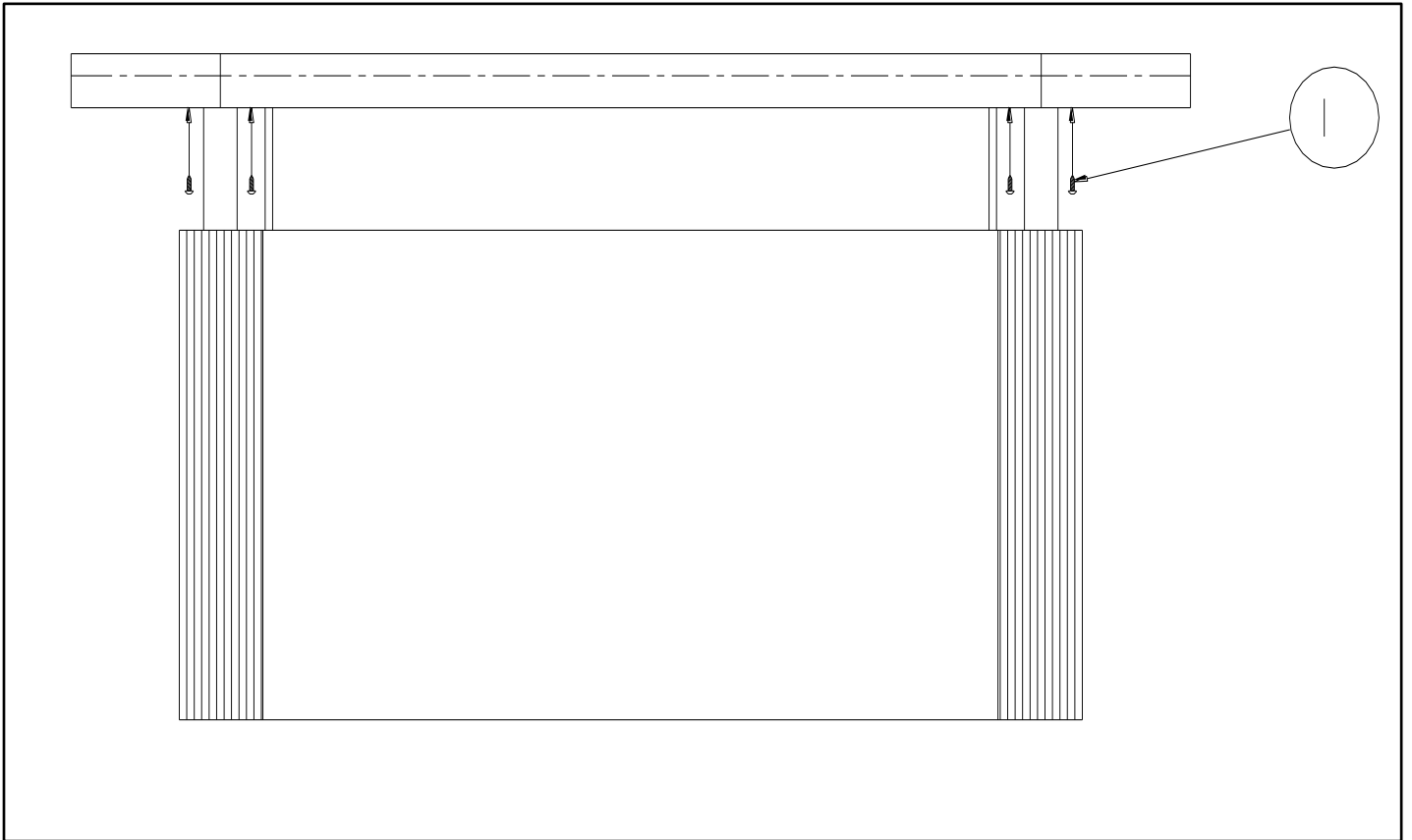
Assembly Guide

Assembly guide for Concertina workstation



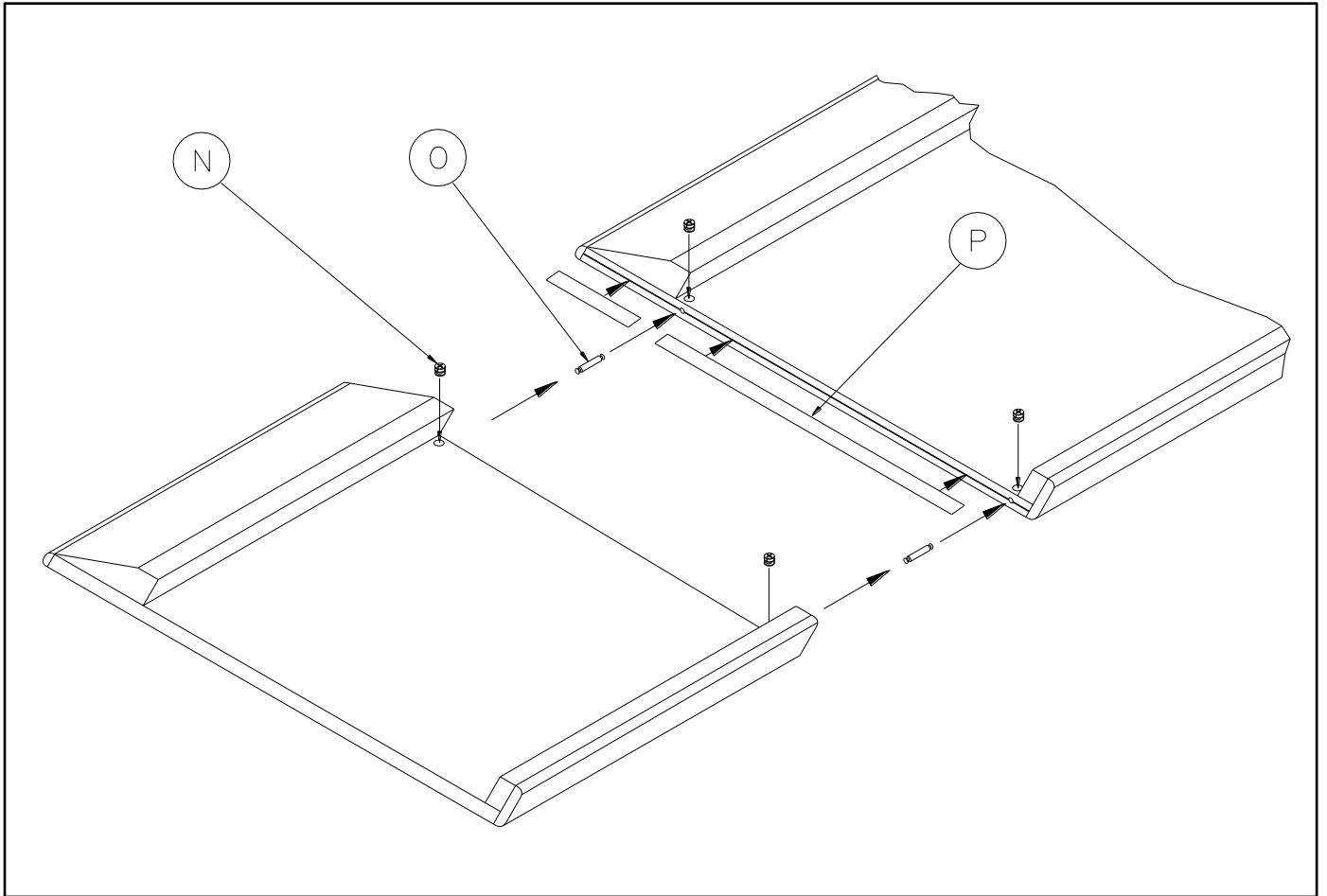
Assembly Guide

Assembly guide for Concertina workstation



Assembly Guide

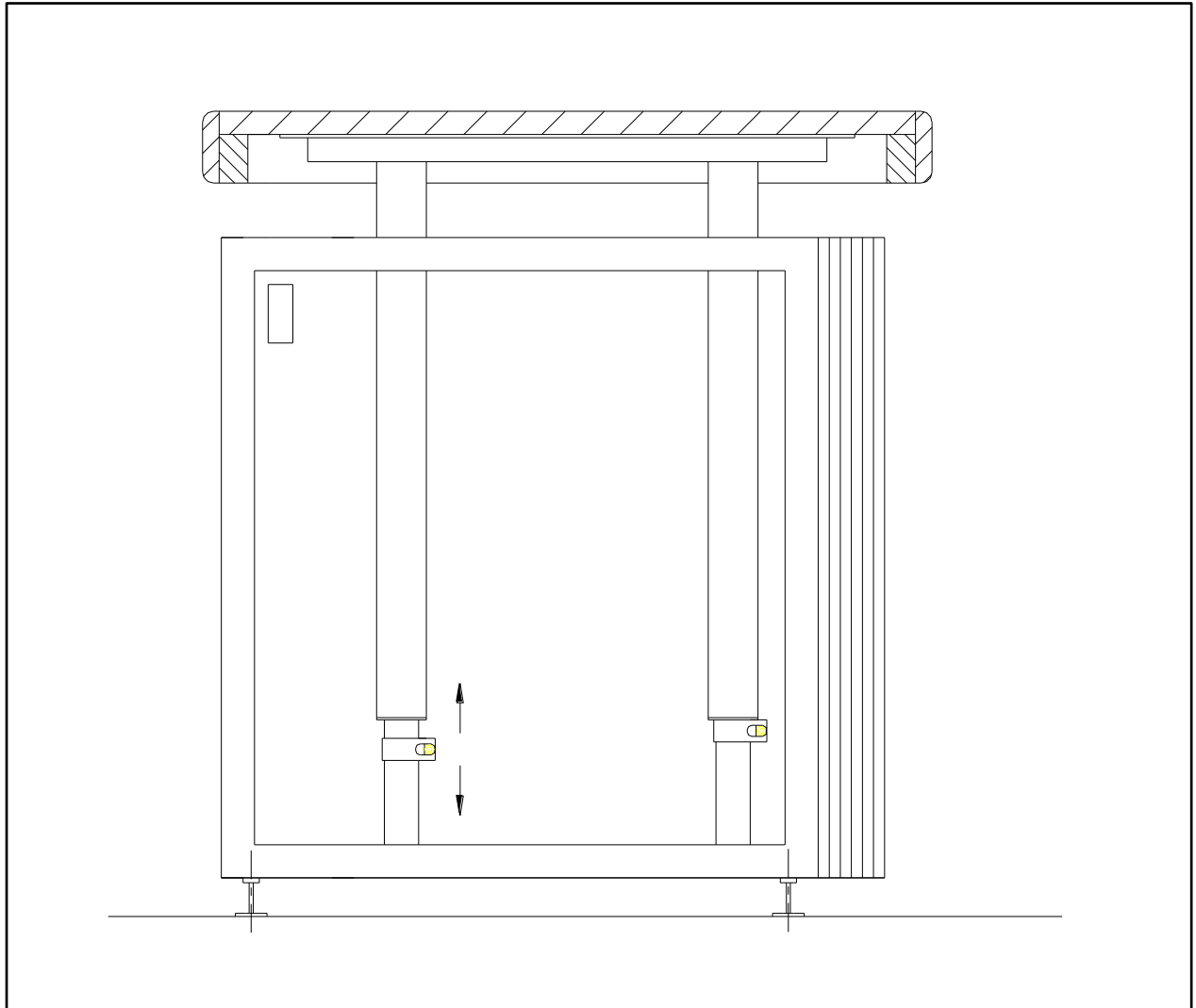
Assembly guide for Concertina workstation



Assembly Guide

Assembly guide for Concertina workstation

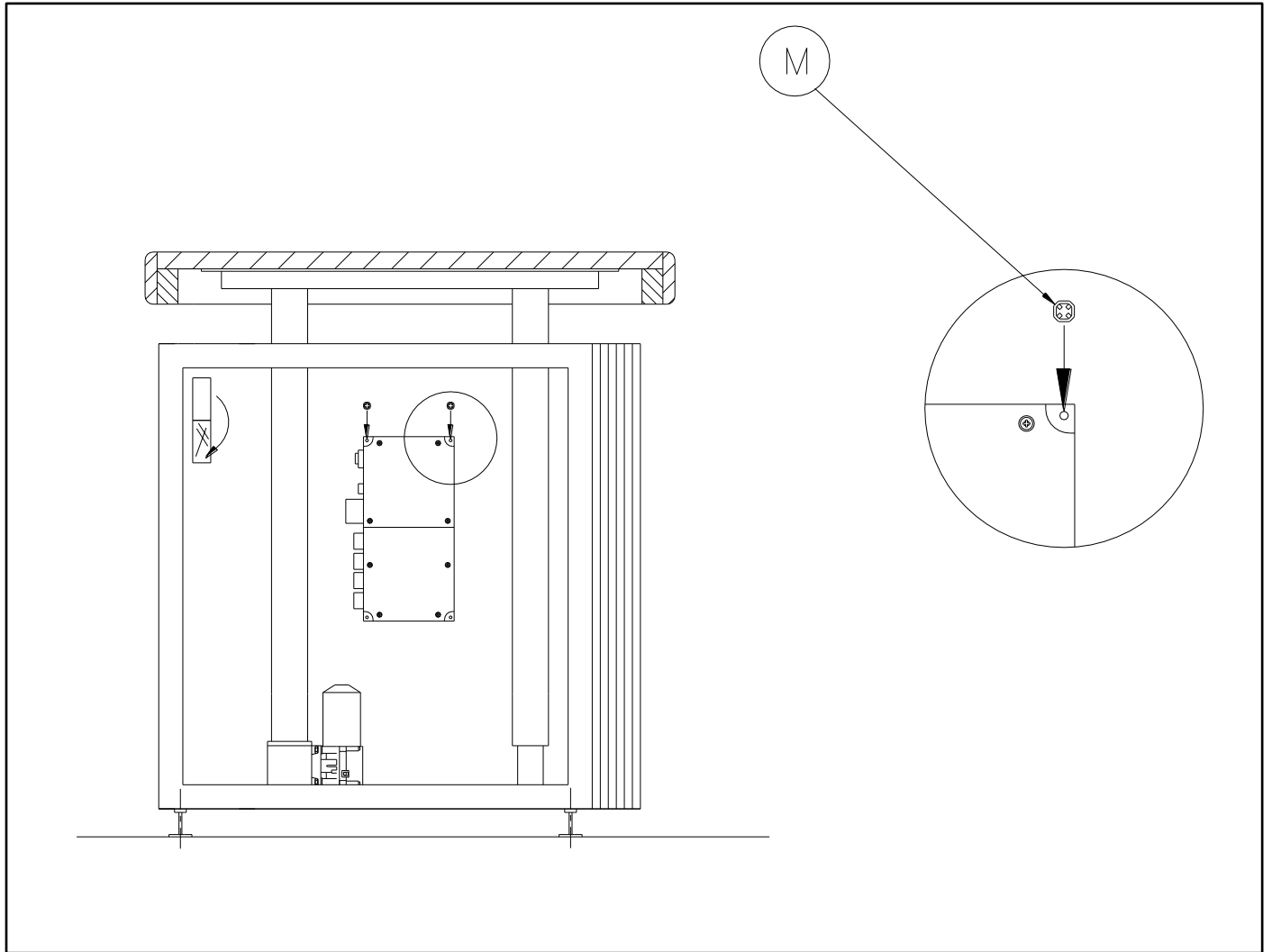
Manual adjustable



Assembly Guide

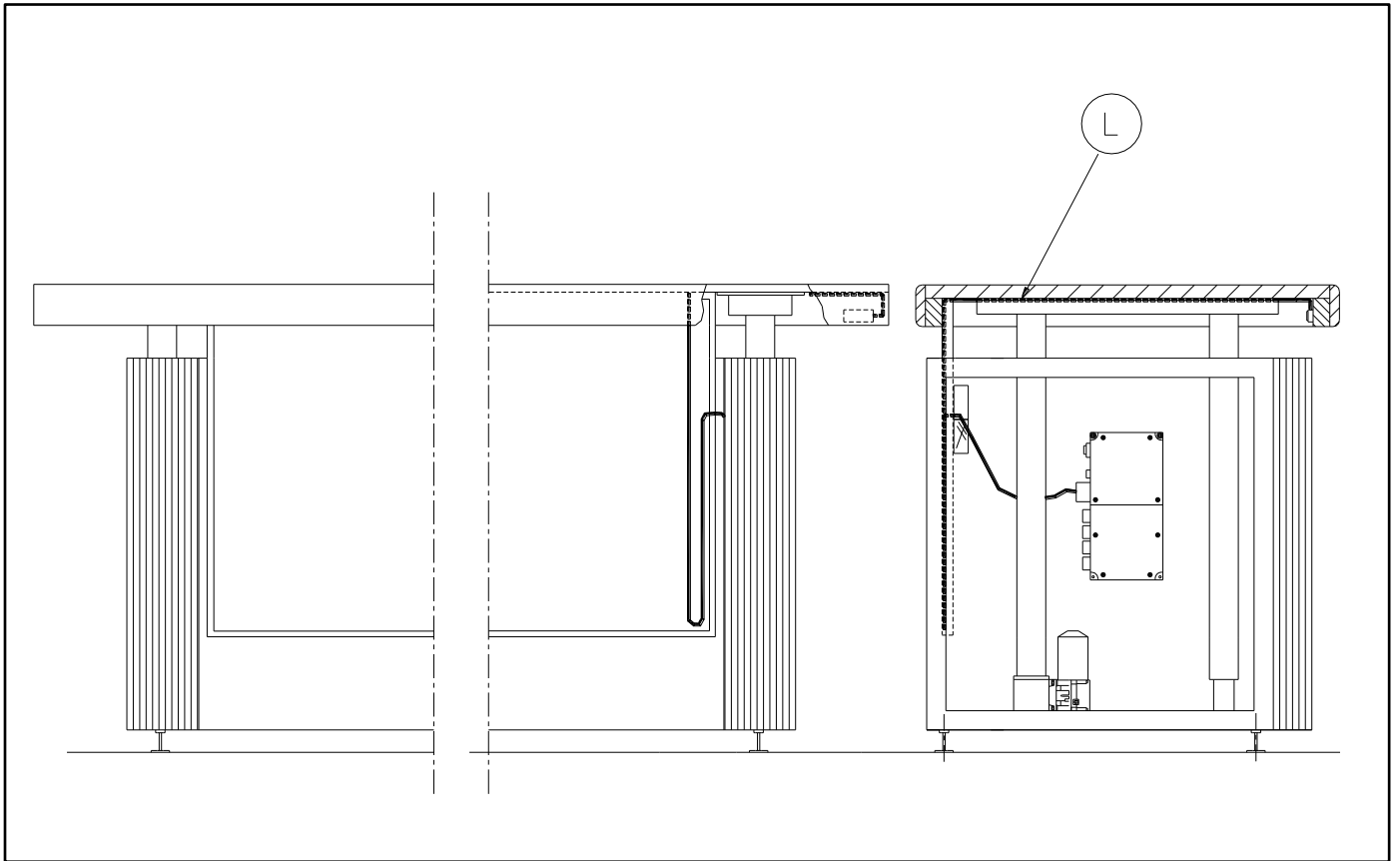
Assembly guide for Concertina workstation

Electrical adjustable



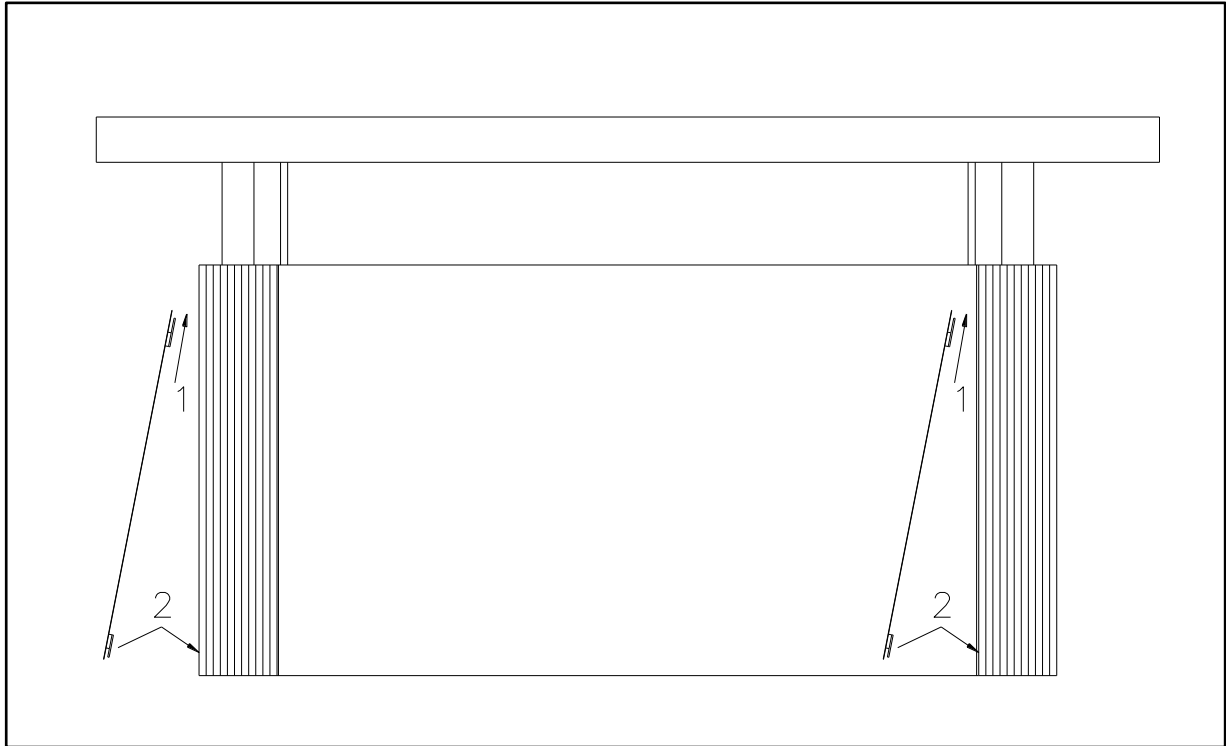
Assembly Guide

Assembly guide for Concertina workstation



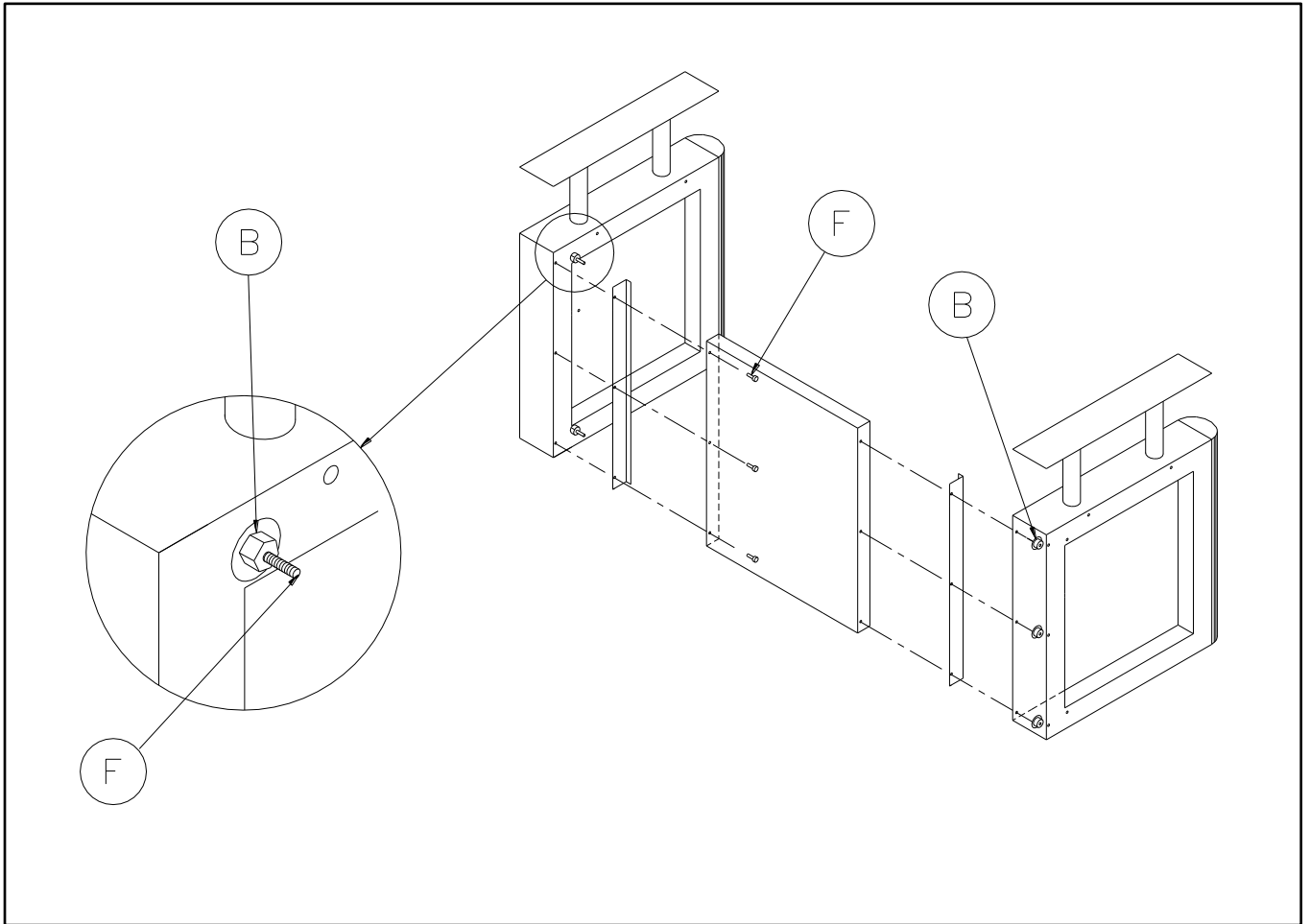
Assembly Guide

Assembly guide for Concertina workstation



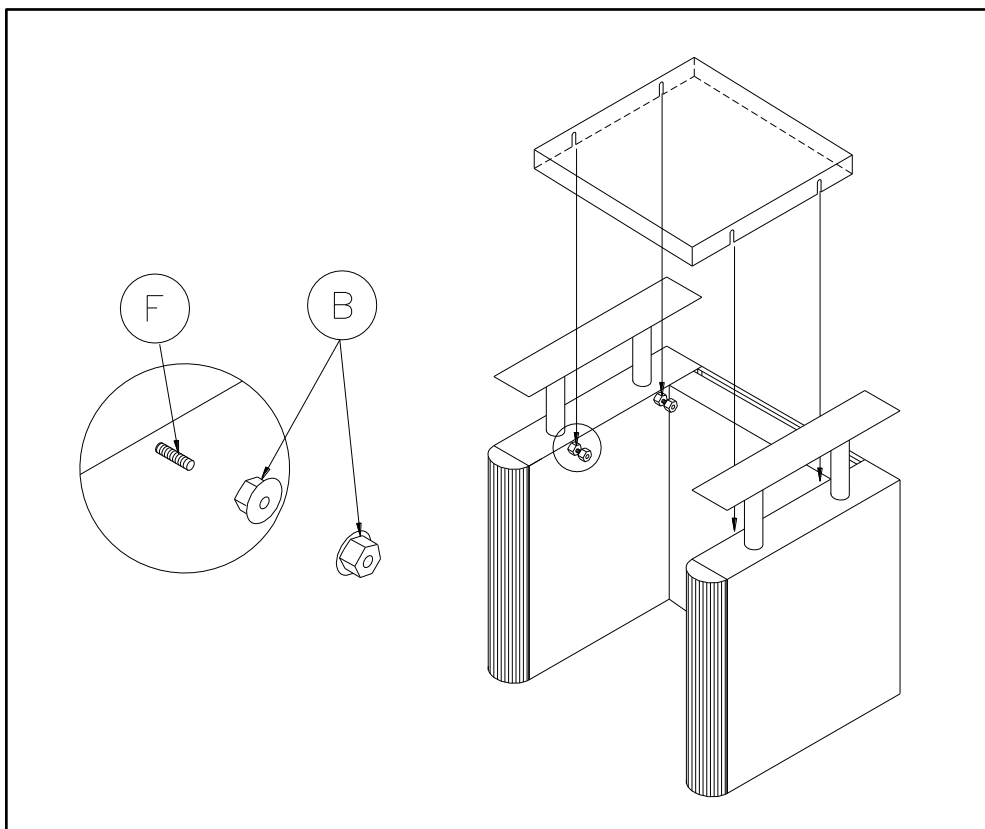
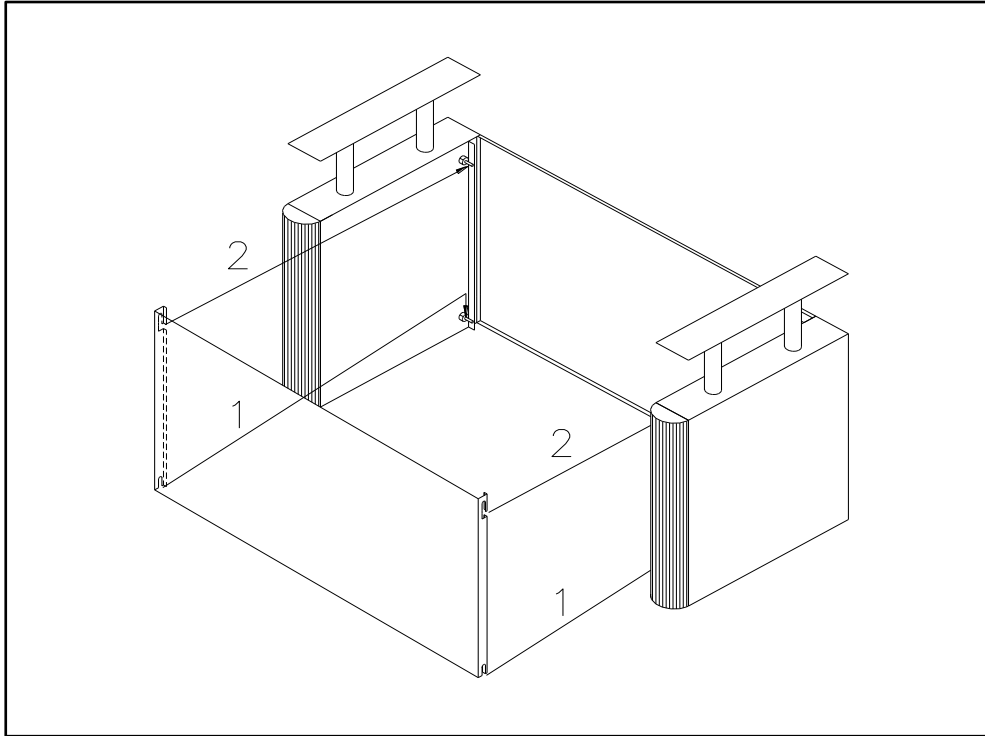
Assembly Guide

Assembly guide for Concertina workstation



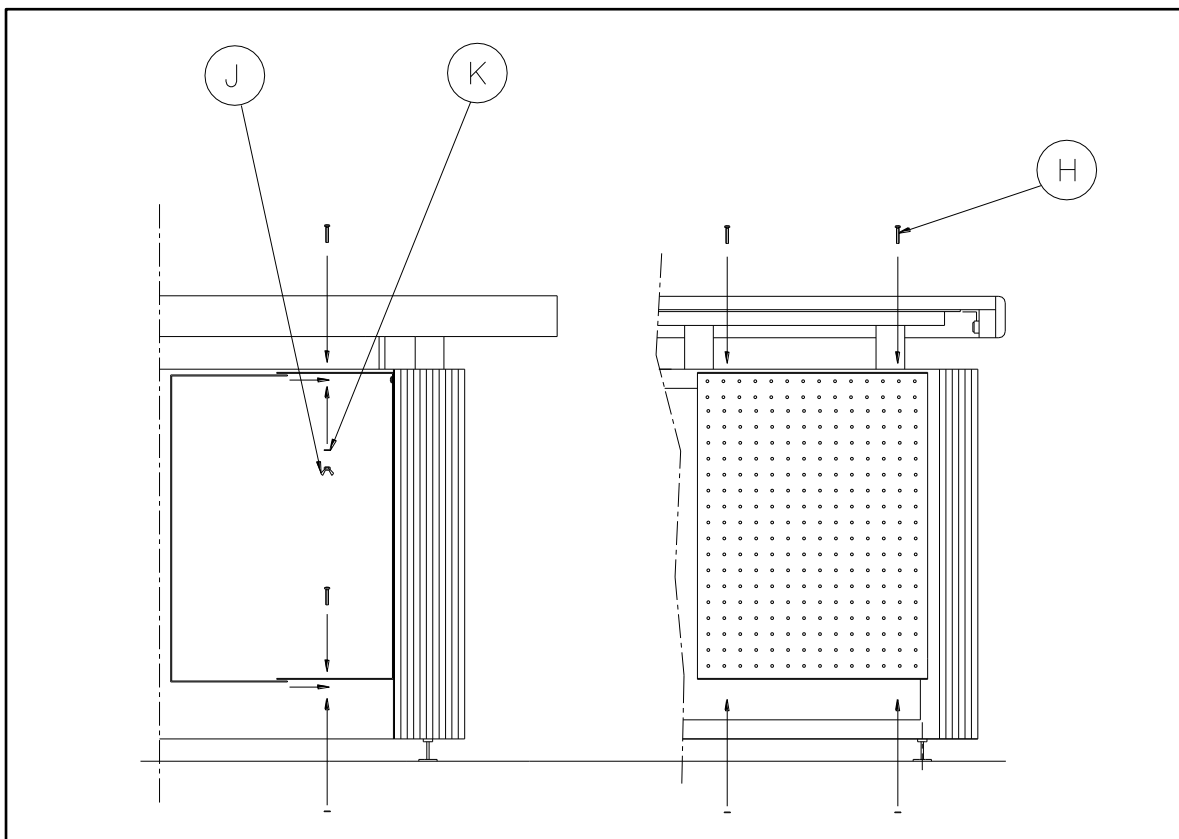
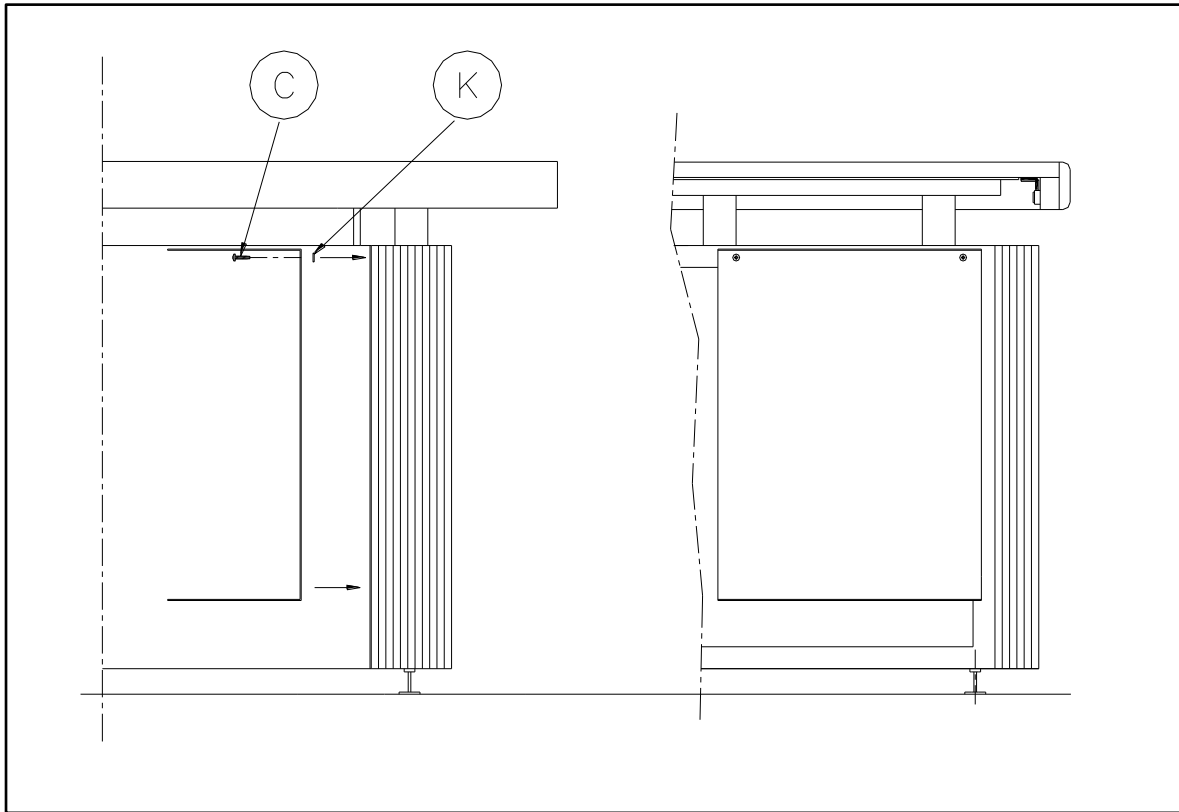
Assembly Guide

Assembly guide for Concertina workstation



Assembly Guide

Assembly guide for Concertina workstation



Assembly Guide

Assembly guide for Concertina workstation

Electrically adjustable module: Adjustment instructions

If electrically adjustable Concertina desk surfaces have an uneven weight load or intensive use condition, the motor will on occasion require calibration.

The facility staff can easily accomplish this by lowering the unit(s) to what is termed a zero position or the lowest possible point of adjustment and press the button for a minimum of 5 sec.

Alignment may be required two to four times a month or even daily depending upon the adjustment usage.

Assembly Guide

Assembly guide for Concertina workstation

Safety instructions for the Desk Power System

Safe use of the system is possible only when the operating instructions are read completely and the instructions contained are strictly observed.

Failure to comply with instructions marked with “NOTE” may result in serious damage to the system or one of its components.

NOTE: It is important for everyone who is to connect, install or use the systems to have the necessary information and access to this user manual.

NOTE: If there is visible damage on the product it must not be installed

Before installation, de-installation or troubleshooting:

Stop the Desk Power System

Switch off the power supply and pull out the main plugs.

Relieve the Desk Power System of any loads, which may be released during the work.

Before start-up:

Make sure that the system has been installed as instructed in this user manual.

Make sure that the voltage at the control box is corrected before the system is connected to the mains.

System connection. The individual parts must be connected before the control box is connected to the mains.

During operation:

If the control box makes unusual noises or smells switch off the main voltage immediately.

Take care that the cables are not damaged.

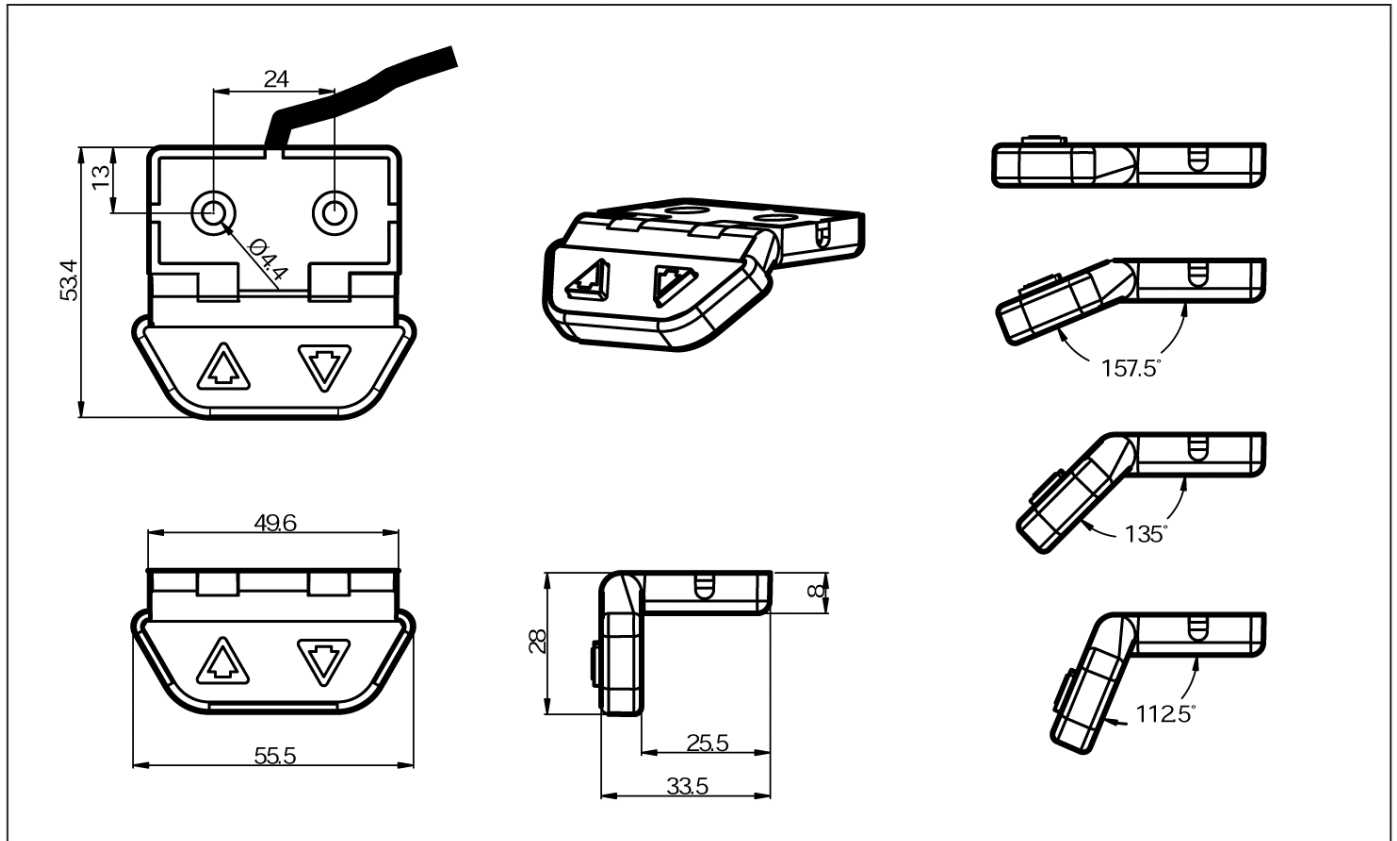
Unplug the main cable on mobile equipment before it is moved.

Assembly Guide

Assembly guide for Concertina workstation

Control for adjusting the table height

DPA



Initialization of the parallel systems

The Desk Power System is initialized by pressing the down key once or twice and holding it down until the actuator runs into end stop.

It will then automatically run approx.. 5 mm out again hereafter slowly running in again. Only release the down key when the movement has completely stopped.

If the key is released before the sequence is complete then the initialization is interrupted and must be started again from the beginning.

It is sometimes necessary to press the down key twice to start the initialization, this is because the system can be in different modes when the initialization starts.

If an error situation occurs at the end stop positions then CBD4 has to be reset by pressing the up and down keys simultaneously for a min. of 5 seconds, after which a new initialization sequence can be run.

Assembly Guide

Assembly guide for Concertina workstation

Change of defect motor

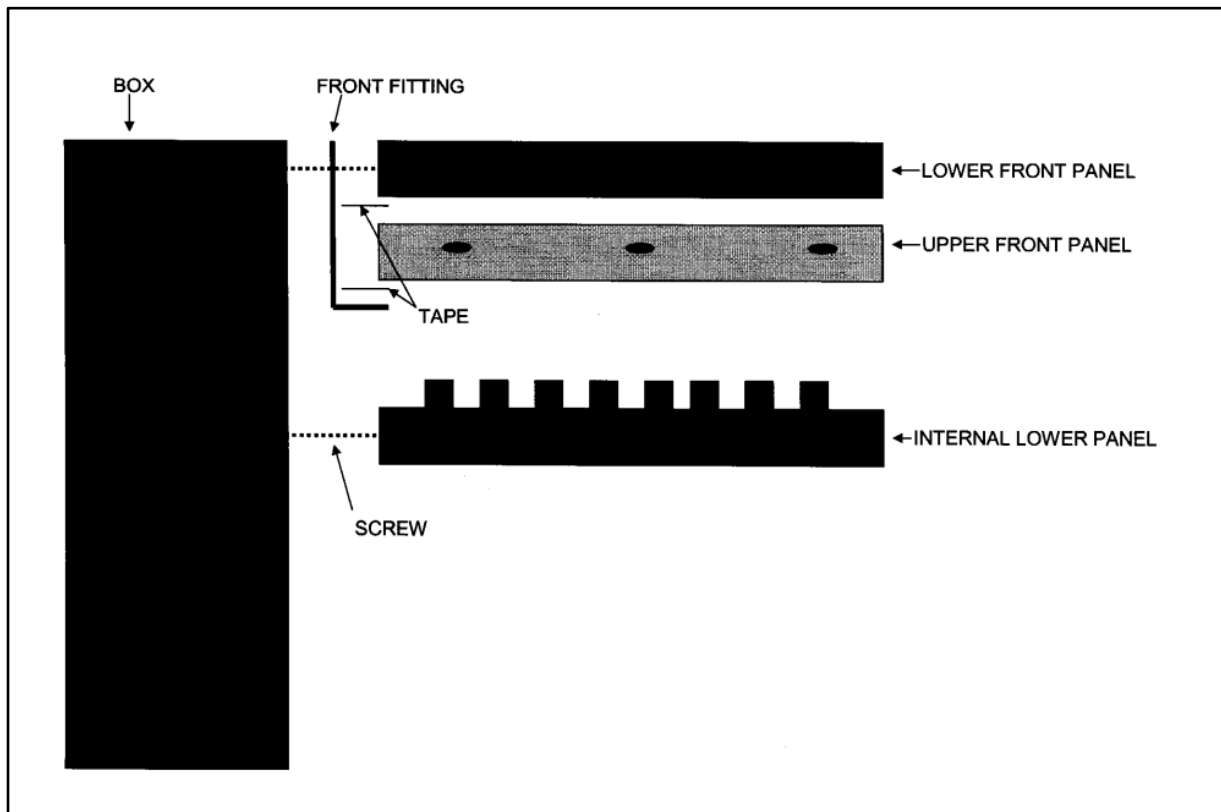
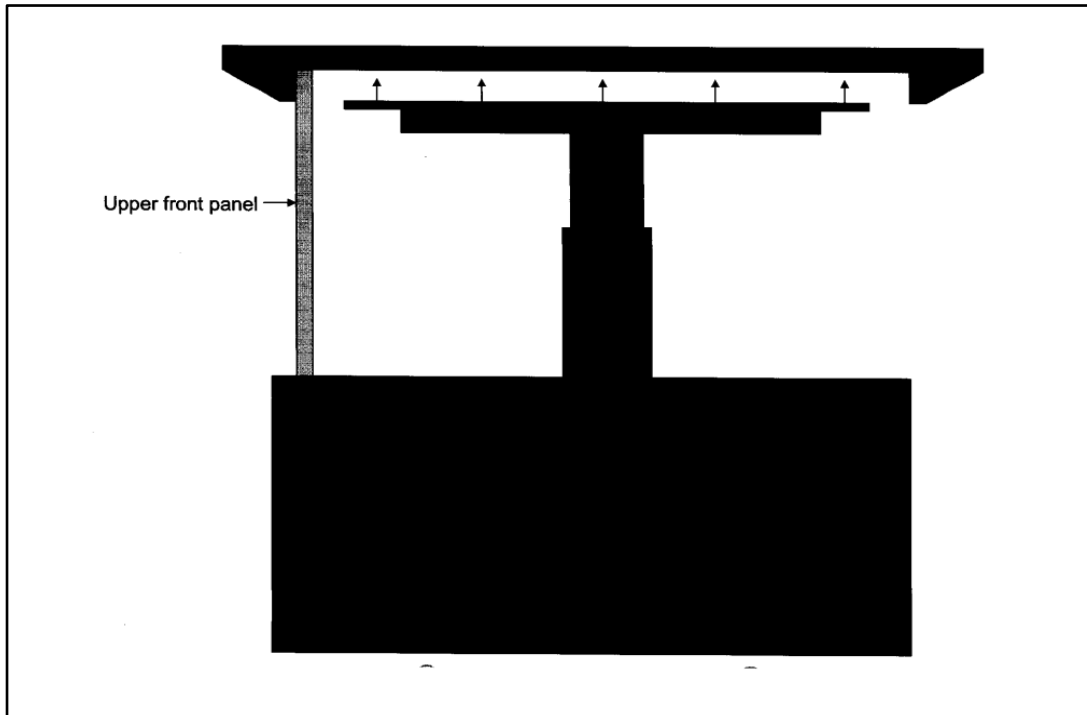
If the customer is facing problems with the adjustability of the electrically adjustable desk the motor itself is to be changed - not the whole frame.

The motors are ordered at BCI's Customer Service which arranges packing and dispatch. The defect motors are returned to our factory for examination and repair.

Our staff of fitters should always have one of each motors in his vehicle.

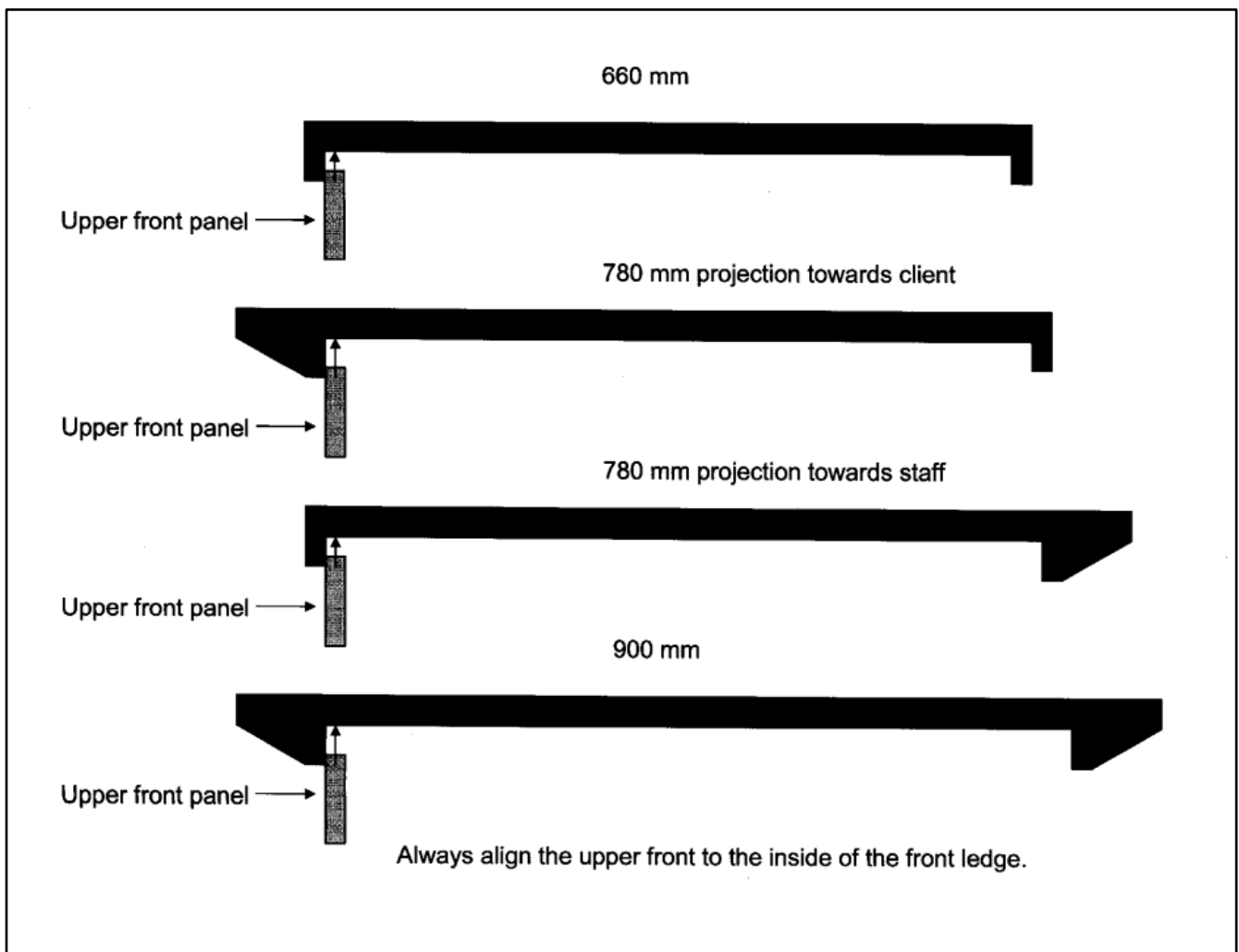
Assembly Guide

Assembly guide for Concertina workstation



Assembly Guide

Assembly guide for Concertina workstation





WE ARE LIBRARY PEOPLE®



DENMARK

Lammhults Biblioteksdesign A/S
Dalbækvej 1
6670 Holsted

bci@bci.dk
www.lammhultsbiblioteksdesign.dk

GERMANY

Schulz Speyer Bibliothekstechnik AG
Friedrich-Ebert-Straße 2a
67346 Speyer

sales@schulzspeyer.de
www.schulzspeyer.de

BELGIUM/HOLLAND

SBNL – Schulz Benelux BVBA
Appelweg 94 C
3221 Holsbeek

info@sbnl.be
www.sbnl.be

SWEDEN

Lammhults Biblioteksdesign AB
Åkergränden 7
221 00 Lund

eurobib@eurobib.se
www.lammhultsbiblioteksdesign.se

FRANCE

BC Interieur S.A.R.L.
8, Allée Lorentz
77 420 Champs sur Marne

bci@bcinterieur.com
www.bcinterieur.fr

NORWAY

BS Eurobib AS
Postboks 6348
Malerhaugveien 20
0604 Oslo

post@bseurobib.no
www.bseurobib.no

UNITED KINGDOM

thedesignconcept Ltd.
Unit 12, Evans Business Centre
Belgrave Street
Bellshill ML4 3NP

info@thedesignconcept.co.uk
www.thedesignconcept.con.uk

Find our dealers on www.wearelibrarypeople.com

